

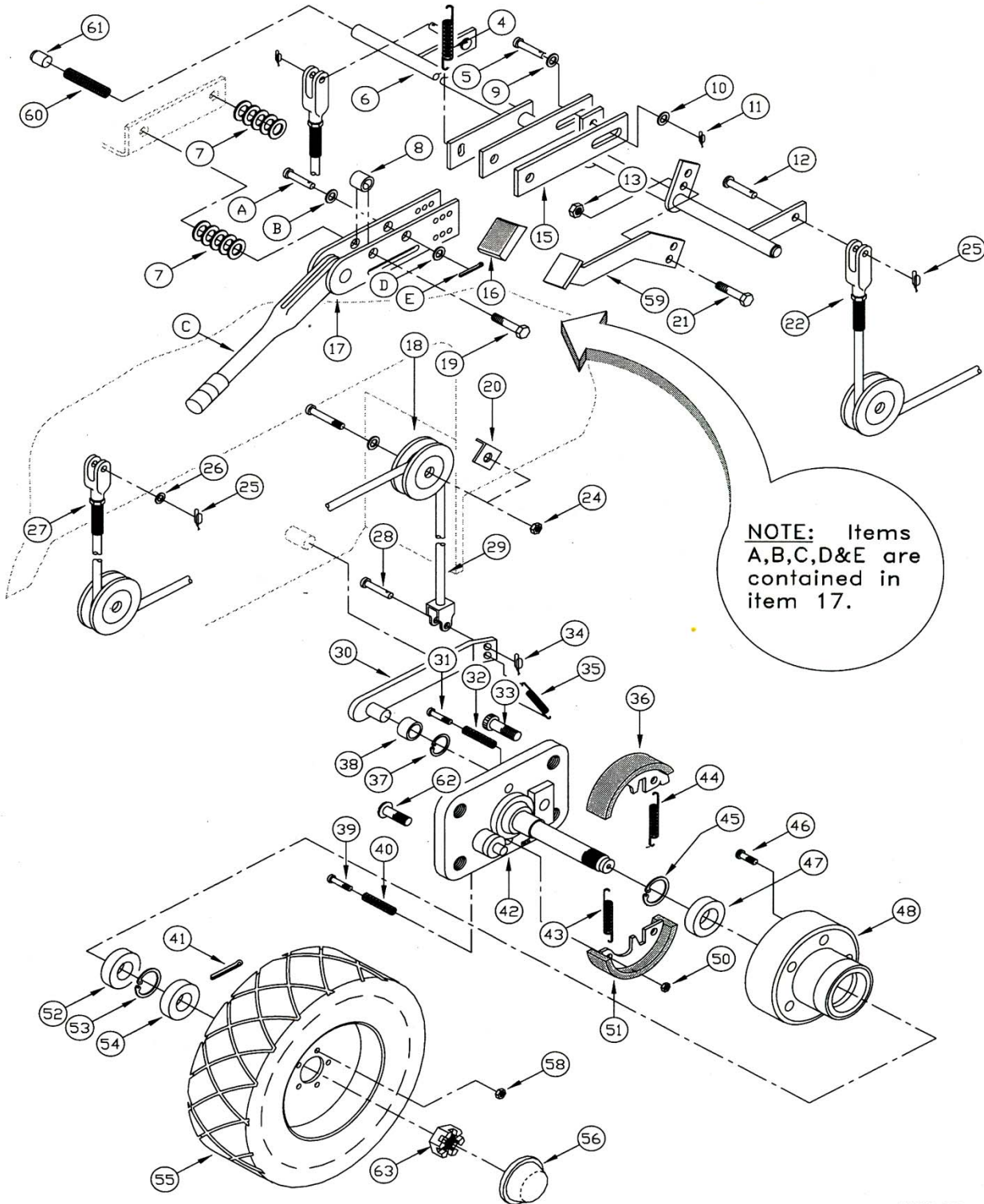
POWERBOSS®

SW/62™ DELUXE PARTS SECTION

TABLE OF CONTENTS

Axles, Brakes, and Wheels Group	2
Battery Group	6
Body - Sheet Metal Group - Doors (Side Broom)	8
Body (Sheet Metal) Group - Engine Cover	10
Directional Control Group	12
Electrical Schematic	14
Engine (Gasoline) Group	16
Frame Group	22
Front Bumper Group	24
Fuel Tank Group	26
Hopper Group	28
Hopper Group - Hopper Lid	30
Hydraulic Group - Control Valve	32
Hydraulic Group - Hydraulic Schematic	34
Hydraulic Group - Hydraulic Reservoir	36
Impeller Group	38
Impeller Group - Gasket Mount	40
Lift Arm Group	42
Main Broom Group	46
Miscellaneous Group - Decals	50
Side Broom Group	52
Side Broom Group - Side Broom Lift	54
Steering Group	56
Steering Group - Tilt Steering	58

AXLE, BRAKES, & WHEEL GROUP



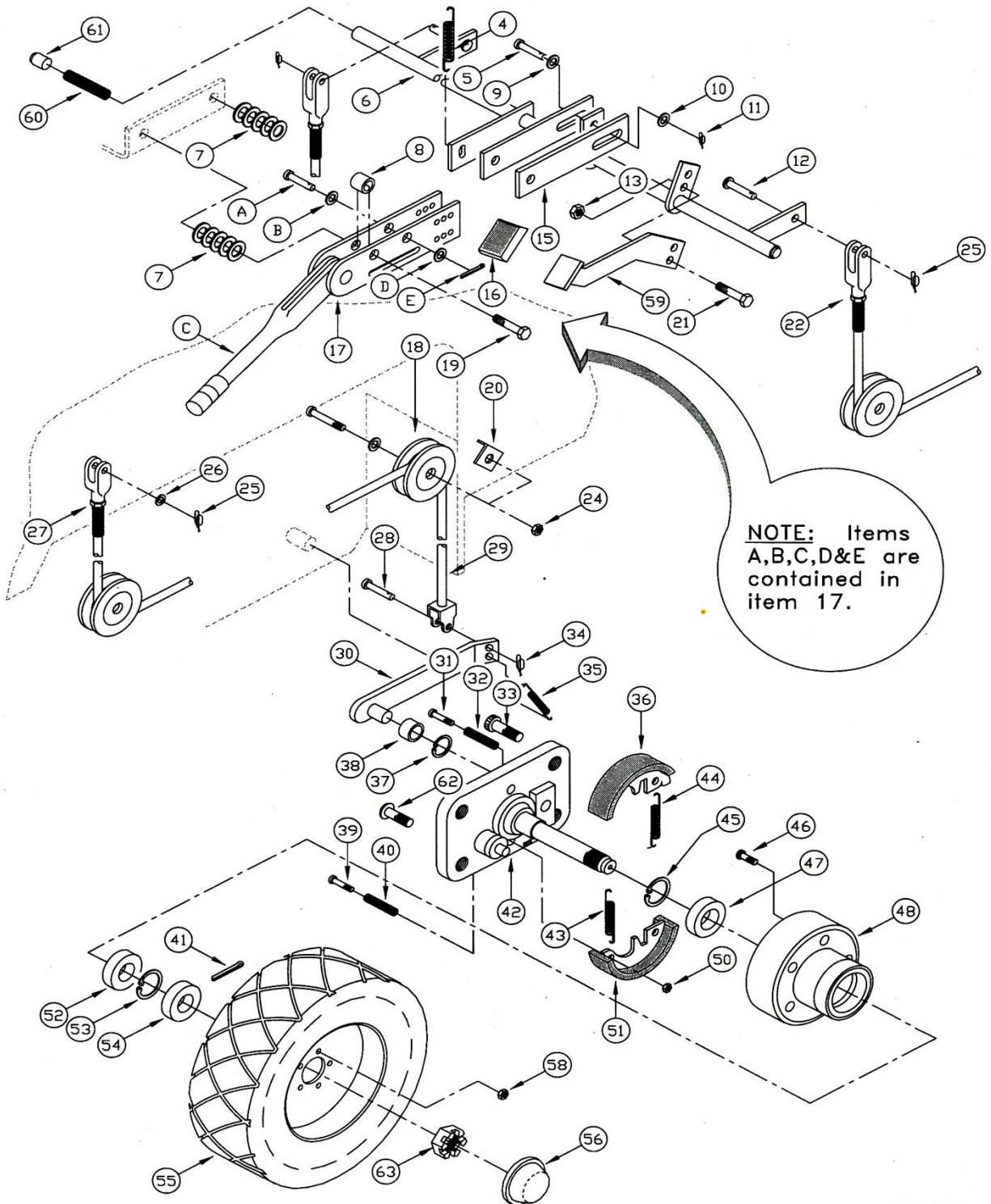
NOTE: Items A, B, C, D & E are contained in item 17.

030PA002

AXLE, BRAKES, & WHEEL GROUP

REF#	PART #	DESCRIPTION	QUANTITY
4	301521	SPRING - BRAKE ARM	1
5	400118	PIN - CLEVIS 5/16 X .88	1
6	318562	WELD - BRAKE BAR SW/62U	1
7	400087	WASHER - FLAT 3/8 STANDARD ZP	10
8	318422	SHIM - HAND BRAKE SW/72	2
9	400088	WASHER - FLAT 5/16	1
10	400088	WASHER - FLAT 5/16	1
11	400125	RING - RUE 3/8	1
12	400185	PIN - CLEVIS 5/16 X 1.25	2
13	400080	NUT - HEX 5/16 - 18 ES ZP	2
15	301102	BAR - PARKING BRAKE	2
16	300413	PAD - RUBBER BRAKE PEDAL	1
17	303169	HAND BRAKE - PURCHASED	1
18	304760	PULLEY - CABLE HYD BRAKE	4
19	400311	SCR - HEX 5/16-18 X 1.75	2
20	306460	RETAINER - CABLE HYD BRAKES	4
21	400035	SCR - HEX 5/16-18 X 1.00 ZP	2
22	307642	CLEVIS 5/16-24	4
24	400068	NUT - HEX 3/8-16	4
25	400125	PIN - COTTER 3/8 RUE RING	2
26	400088	WASHER - FLAT 5/16	2
27	307642	CLEVIS 5/16 PLTD SW/A	2
28	400118	PIN - CLEVIS 5/16 X 7/8 ZP	2
29	313211	CABLE - BRAKE SW/62 GAS/DSL	2
30	300870	ASSY - BRAKE LEVER PLTD	1
31	400060	SCR - THEM #8-32 X 3.00	2
32	301518	SPRING - COMP BRAKE SHOE	2
33	400006	SCR - SOC 5/8-11 X 1.00, BUTTON	6
34	400125	PIN - COTTER 3/8 RUE RING	2
35	301517	SPRING - EXT BRAKE LEVER	2
36	300523	SHOE - BRAKE W/LINING	2
37	300484	RING - RET EXT .87	2
38	300410	BUSHING 1.00 OD X .87 ID	2
39	400060	SCR - THM #8 - 32 X 3.00 SS	2
40	301518	SPRING - COMP BRAKE SHOE	2
41	400120	PIN - COTTER 5/16 X 2.00	2
42	300852	ASSY - FRONT AXLE	2
43	301519	SPRING - EXT BRAKE SHOE	2
44	301519	SPRING - EXT BRAKE SHOE	2
45	300473	RING - RETAINER INT 2.44	2
46	307348	STUD - WHEEL REAR SW/A	10
47	300467	BEARING - BALL 2.44 X 1.18 ID	2
48	300787	HUB - FRONT WHEEL	2

AXLE, BRAKES, & WHEEL GROUP

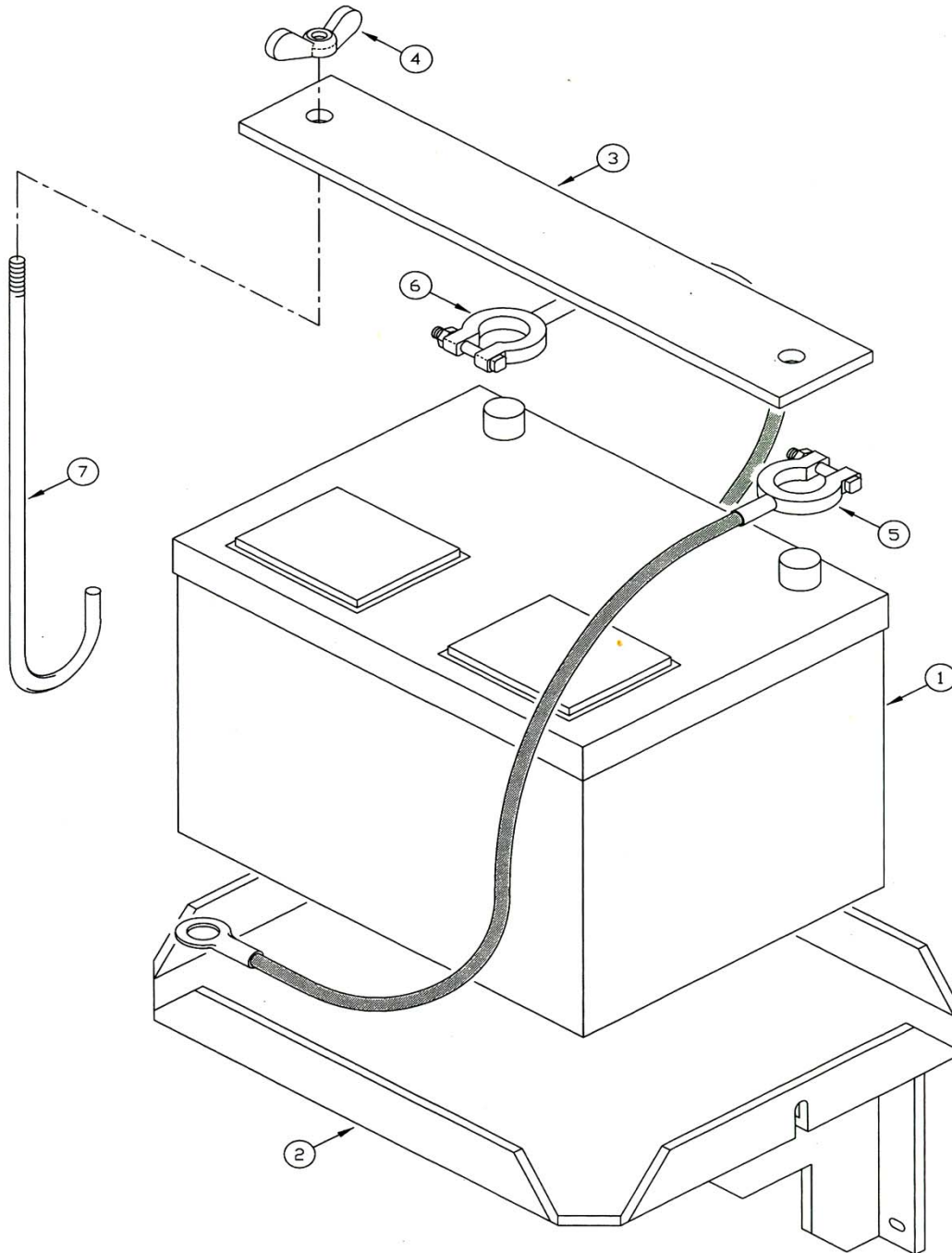


030PA002

AXLE, BRAKES, & WHEEL GROUP

REF#	PART #	DESCRIPTION	QUANTITY
50	400082	NUT - HEX ES #8-32	2
51	300523	SHOE - BRAKE W/LINING	2
52	300467	BEARING - BALL 2.44 X 1.18 ID	2
53	300473	RING - RET INT 2.44	2
54	300876	SPACER - AXLE FRONT PLTD	2
55	318597	WHEEL - 5.00 X 8 X 18" MOLDED	2
56	300369	DUST CAP	2
58	300411	NUT - WHEEL LUG	10
59	318461	WELD - BRAKE PEDAL W/ARM SW/72	1
60	318414	SPRING - C0720-081-1250-S SW/72	1
61	318412	PLUG - BRAKE ROD SW/72	1
62	400011	SCR - SOC FLT 5/8-11 X 1.00	2
63	400223	NUT - HEX SLOTTED 1-20	1

BATTERY GROUP

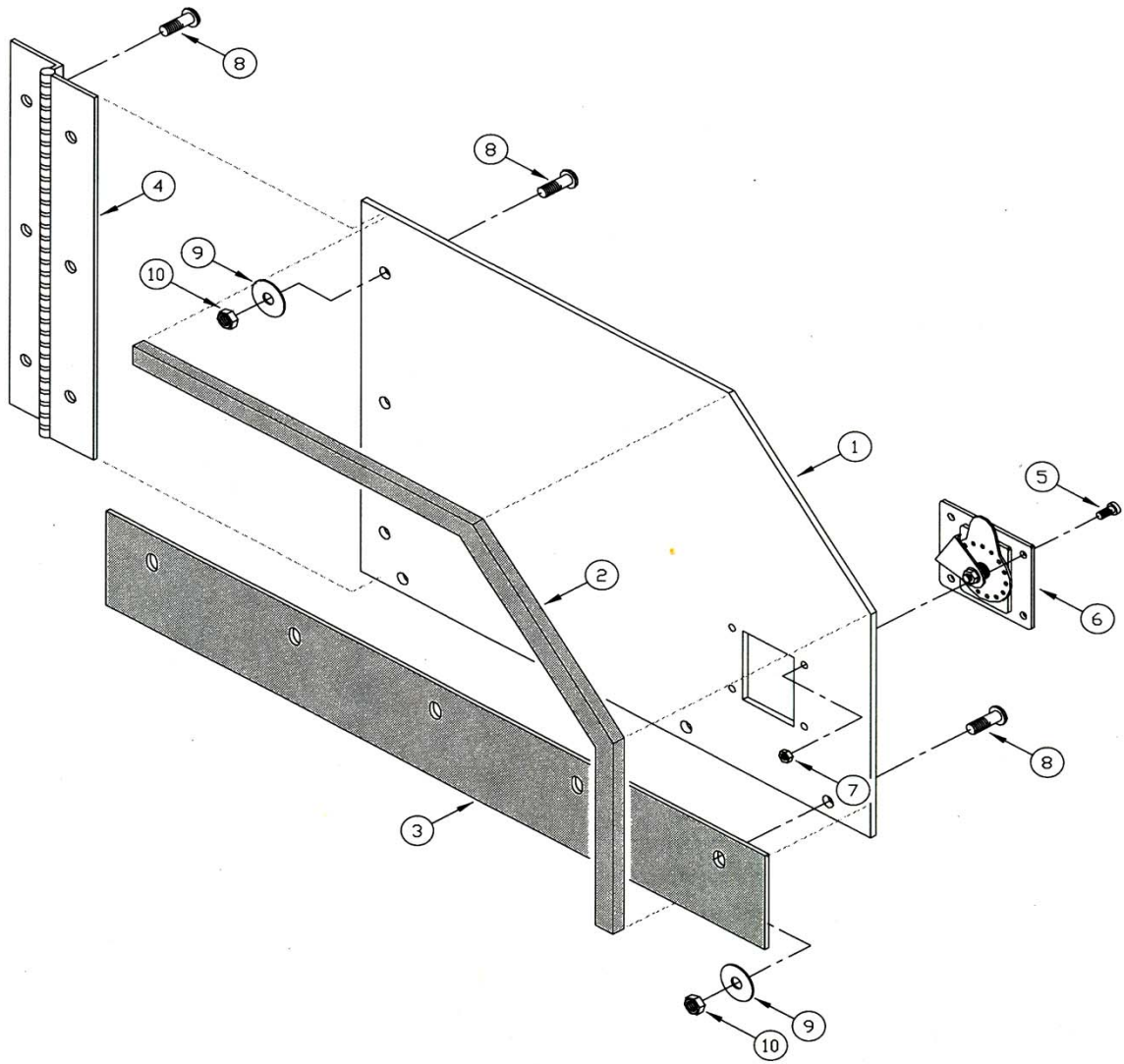


500PA001

BATTERY GROUP

REF#	PART #	DESCRIPTION	QUANTITY
1	300440	BATTERY - GAS ENGINE	1
2	300210	ASSY - BATTERY MNT PNTD	1
3	301076	HOLD DOWN - BATTERY 2-PIECE	1
4	400085	NUT - WING 1/4 - 20 ZP	2
5	307634	ASSY - BATTERY CABLE ARMA NEG	1
6	307633	ASSY - BATTERY CABLE ARMA POS	1
7	301079	ROD - BATTERY TIE-DOWN PLTD	2

BODY (SHEET METAL) GROUP - SIDE BROOM DOOR



012PA001

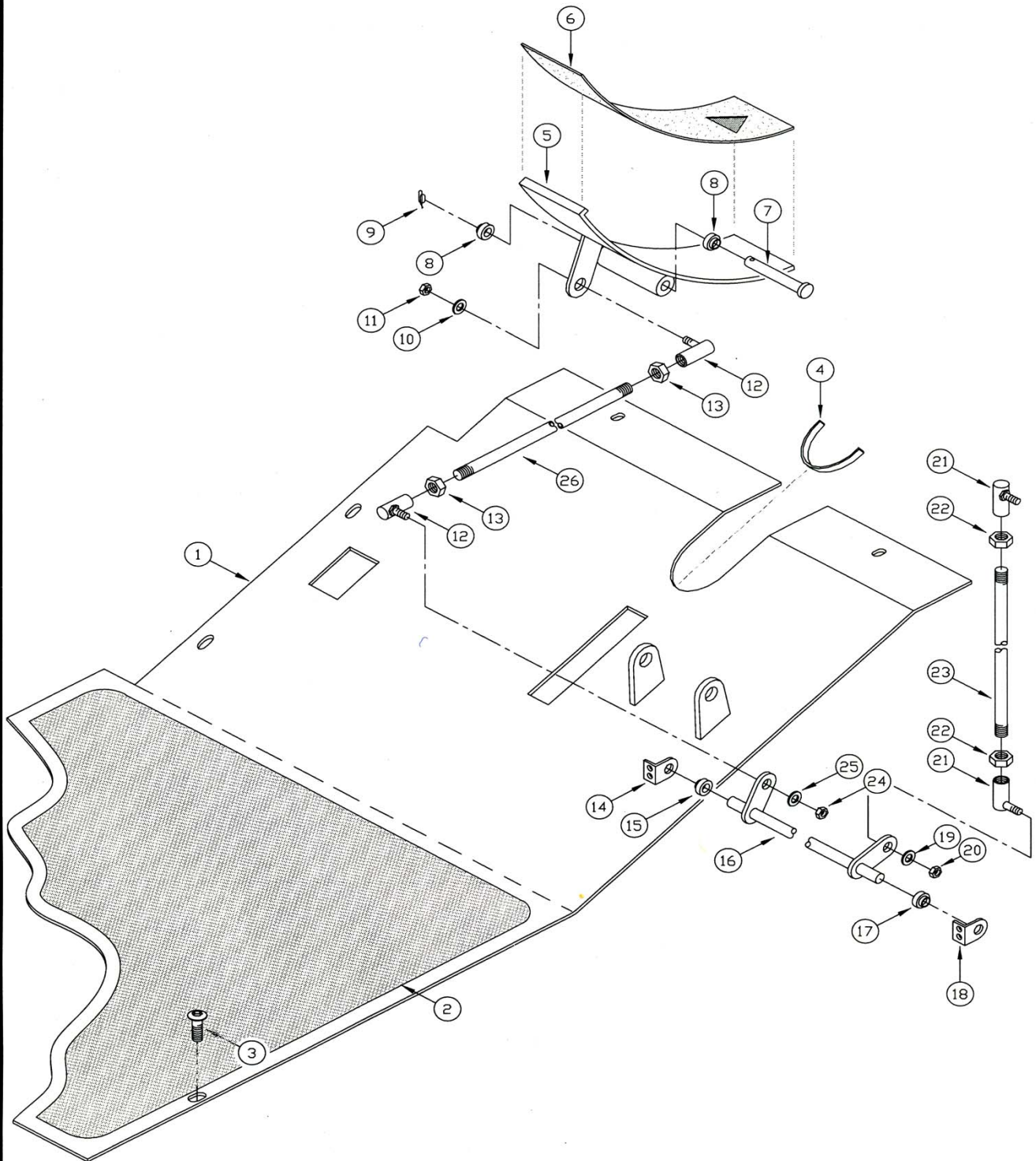
BODY (SHEET METAL) GROUP - SIDE BROOM DOOR

REF#	PART #	DESCRIPTION	QUANTITY
1	318567	DOOR - MAIN BROOM SW/62U	1
2	318739	WEATHERSTRIPPING - RUBBER SPONGE	2.3 FT
3	318582	FLAP - BROOM DOOR SW/62U	1
4	318694	HINGE - .125 X 3.0 X 11.12 LONG	1
5	400048	SCR - SOC #10 - 32 X 0.75 ZP	4
6	318595	LATCH - "T" HANDLE SW/62U	1
7	400172	NUT - HEX JAM #10 - 32 ES ZP	4
8	400790	SCREW - BHSCS .375 - 16 X 1	7
9	400092	WASHER - FENDER 3/8 ZP	7
10	400392	NUT - FLANGE LOCK 3/8 - 16	7

BODY (SHEET METAL) GROUP - ENGINE COVER

REF#	PART #	DESCRIPTION	QUANTITY
1	318591	WELD - REAR CLIP SW/62U	1
2	311371	PULL - REAR CLIP	1
3	302472	MOUNT - WIRE TIE LOW PROFILE	6
4	312413	BUMPER - RUBBER .88 DIA 10 - 32 X .5	4
5	400172	NUT - HEX JAM #10 - 32 ES ZP	4
6	311373	LIGHT - REAR TAIL RED	2
7	318370	DECAL - ENGINE CLIP SW/72	1
8	313914	GAUGE PANEL	1
8B	400724	SCR - FHC #10 - 32 X .75 LG	4
9	301553	LIGHT - TRASH RELOCATOR	2
10	307553	SWITCH - ROCKER ENG. SWING ARMA	3
11	315818	SWITCH - ROCKER ELEC GOV	1
12	307552	SWITCH - ROCKER LIGHTS ARMA	1
13	300441	SWITCH - MOMENTARY STARTER	2
14	026924	CIRCUIT BREAKER - 45 AMP	1
15	318514	SWITCH - SPDT ROCKER	1
16	318483	SWITCH - DPST ROCKER	1
17	315336	HOUR METER	1
18	400790	SCREW - BHSCS .375 - 16 X 1	2
19	400079	NUT - HEX 3/8 - 16 ES ZP	2
20	318561	CABLE - REAR COVER (SW/72)	1
22	400480	NUT - HEX 10 - 24	2
23	400268	SCR - PAN #10 - 24 X 0.75 PHL	2
24	322599	FUSE BLOCK - ATO FUSE	1
24A	322601	FUSE - 15 AMP ATO	5
25	400040	SCR - HEX 1/4 - 20 X 1.00 ZP	4
27	400484	RIVET - AVDEL 3/16 X .602	8
31	318599	SEAT	1
32	318693	CABLE - ENGINE CLIP (SW/62U)	1
33	307599	DECAL - IGNITION SW/A	1
34	316100	SWITCH - IGNITION W/O ACC 3-POS	1
35	318638	WELD - GAUGE HOUSING SW/62U	1
36	318670	HARNESS - WIRING SW/62U	1
37	322191	INSERT - 1/4 - 20 UNC	4
38	322622	WIRE - JUMPER LIFT/ROT SWITCH 72	1
39	400088	WASHER - 5/16 FENDER	4
40	400080	NUT - 5/16 - 18 ES ZP	4
41	311941	LATCH - FLEXIBLE T-HANDLE	2
42	400489	SCR - PAN #10 - 24 X 5/8, SLT SS	6
43	400400	WASHER - FLAT #10 SS	6
44	301358	TIE - WIRE	6

DIRECTIONAL CONTROL GROUP

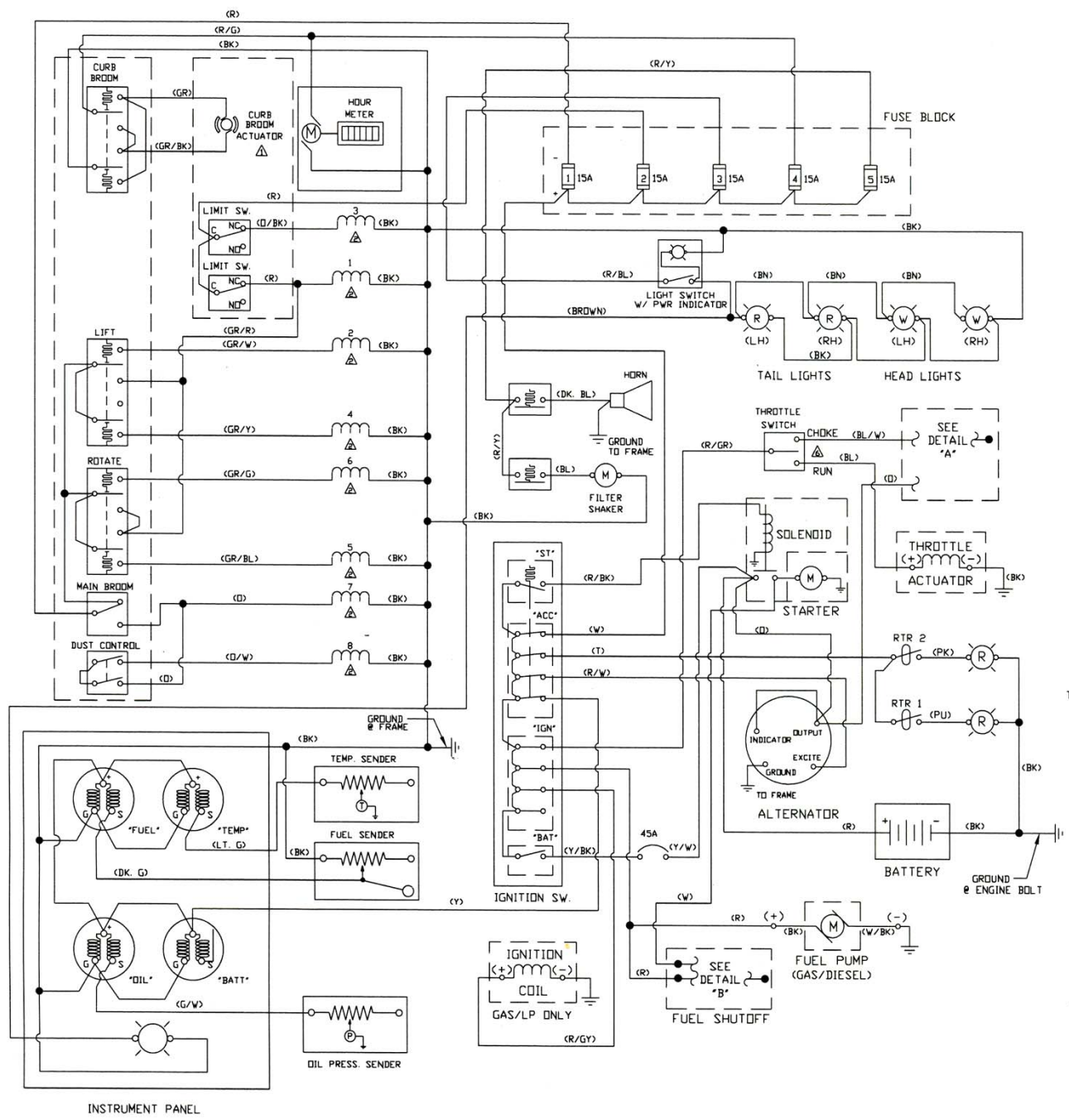


060PA002

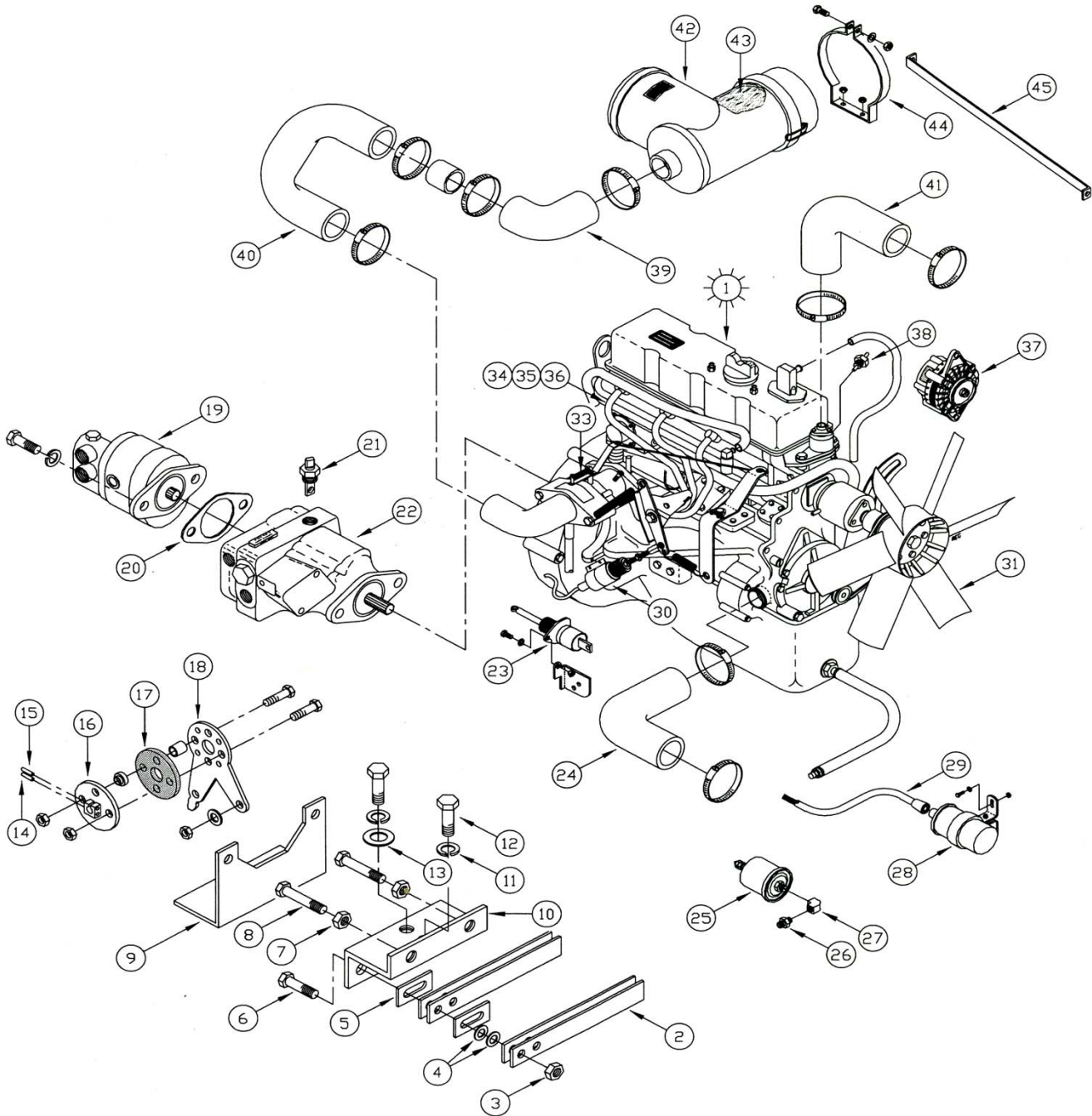
DIRECTIONAL CONTROL GROUP

REF#	PART #	DESCRIPTION	QUANTITY
1	318665	WELD - FLOOR PAN SW/62U	1
2	307588	FLOOR MAT - LARGE SW/A	1
3	400790	SCREW - BHSCS .375 - 16 X 1	3
4	500118	EDGING - VINYL TRIM 1/8" X 250	
5	300737	WELD - PEDAL FWD/REV PNTD	1
6	300544	PAD - FOOT PEDAL	1
7	400114	PIN - CLEVIS 3/8 X 4.00 ZP	1
8	300414	BUSHING - PLASTIC MN BRM	2
9	400125	PIN - COTTER 3/8 RUE-RING	1
10	400101	WASHER - LOCK 3/8 SPLIT ZP	4
11	400067	NUT - HEX 3/8-24 ZP	4
12	300461	BALL JOINT - 3/8 - 24 W/ DUST COV	4
13	400067	NUT - HEX 3/8-24 ZP	4
14	307223	MNT - BUSHING DIR CONT SW/A	1
15	307220	BEARING - DIR CONTROL SW/A	1
16	318630	WELD - DIR TORQUE TUBE SW/62U	1
17	307220	BEARING - DIR CONTROL SW/A	1
18	307223	MNT - BUSHING DIR CONT SW/A	1
19	400101	WASHER - LOCK 3/8 SPLIT ZP	4
20	400067	NUT - HEX 3/8-24 ZP	4
21	300461	BALL JOINT - 3/8 - 24 W/ DUST COV	4
22	400067	NUT - HEX 3/8-24 ZP	4
23	318669	ROD - DIR CONTROL	1
24	400067	NUT - HEX 3/8-24 ZP	4
25	400101	WASHER - LOCK 3/8 SPLIT ZP	4
26	307222	ROD - DIR CONTROL PLTD SW/A	1

ELECTRICAL SCHEMATIC



ENGINE GROUP - GASOLINE



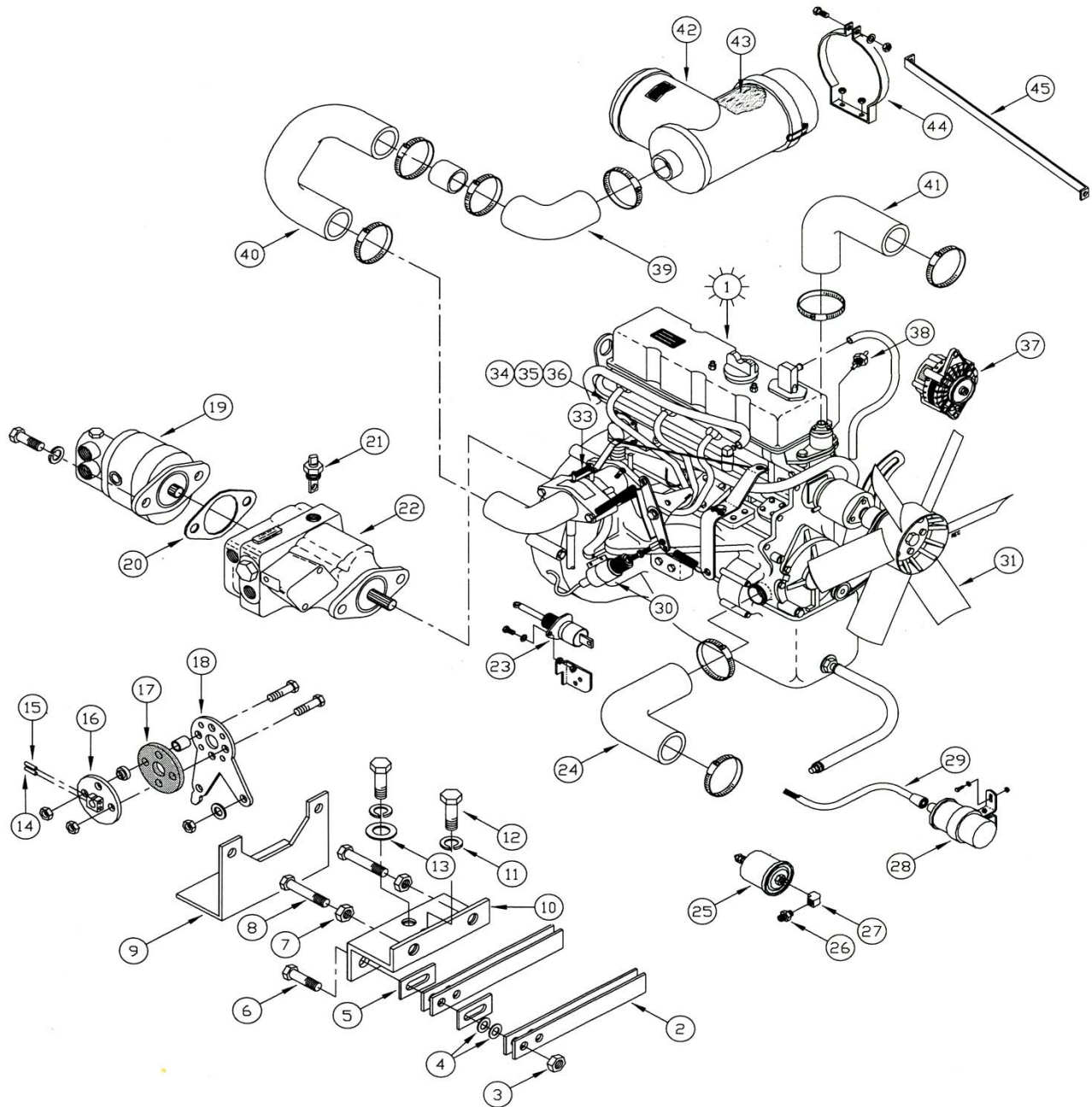
010PA005



ENGINE GROUP - GASOLINE

REF#	PART #	DESCRIPTION	QUANTITY
1	318663	POWERTRAIN - KUBOTA GAS SW/62	1
2	300543	SPRING - RETURN	4
3	400081	NUT - HEX 1/4 - 20 ES ZP	2
4	400089	WASHER - FLAT 1/4 STANDARD ZP	4
5	303918	SPACER - FWD/REV BRKT PLTD	2
6	400149	SCR - HEX 1/4 - 20 X 1.50 ZP	2
7	400069	NUT - HEX 5/16 - 24 ZP	2
8	400228	SCR - HEX 5/16 - 24 X 1.5 ZP FULL TH	2
9	312231	MNT - FWD/REV DSL SW/62 PLTD	1
10	302115	BRKT - FWD/REV PLTD	1
11	400102	WASHER - LOCK 5/16 SPLIT ZP	2
12	400036	SCR - HEX 5/16 - 18 X 0.75 ZP	2
13	400088	WASHER - FLAT 5/16 STANDARD ZP	1
14	400173	SCR - HEX 1/4 - 20 X 1.75 ZP	1
15	400027	SCR - HEX 3/8 - 16 X 1.75 ZP	1
16	301544	ASSY - INSTR GRP HD GAS	1
17	301507	COUPLING - DIR CNTRL	1
18	318138	ARM - FWD/REV DIRECT CONTROL	1
19	318623	PUMP - AUX 1.5 IN	1
20	350368	GASKET - "A" MOUNT PUMP	1
21	310054	VALVE - TOW OPTION	1
22	303581	PUMP - MAIN	1
23	330185	SOLENOID - CHOKE SW/62U	1
24	318747	HOSE - 90 DEG WATER	1
25	300387	SENDER - OIL PRESSURE	1
26	305640	FTG - NIPPLE 1/8 RPT - 1/8 NPT BRASS	1
27	301720	FTG - 90 EL 1/8 FPT	1
28	318746	COIL IGNITION	1
29	318742	COIL WIRE	1
30	330186	SOLENOID - THROTTLE SW/62U	1
31	318745	FAN COOLING	1
33	318754	CARBURETOR	1
34	318749	WIRE #1 SPARK PLUG	1
35	318750	WIRE #2 SPARK PLUG	1
36	318751	WIRE #3 SPARK PLUG	1
37	318755	ALTERNATOR	1
38	301441	SENDER - TEMP	1

ENGINE GROUP - GASOLINE (CONT.)



010PA005

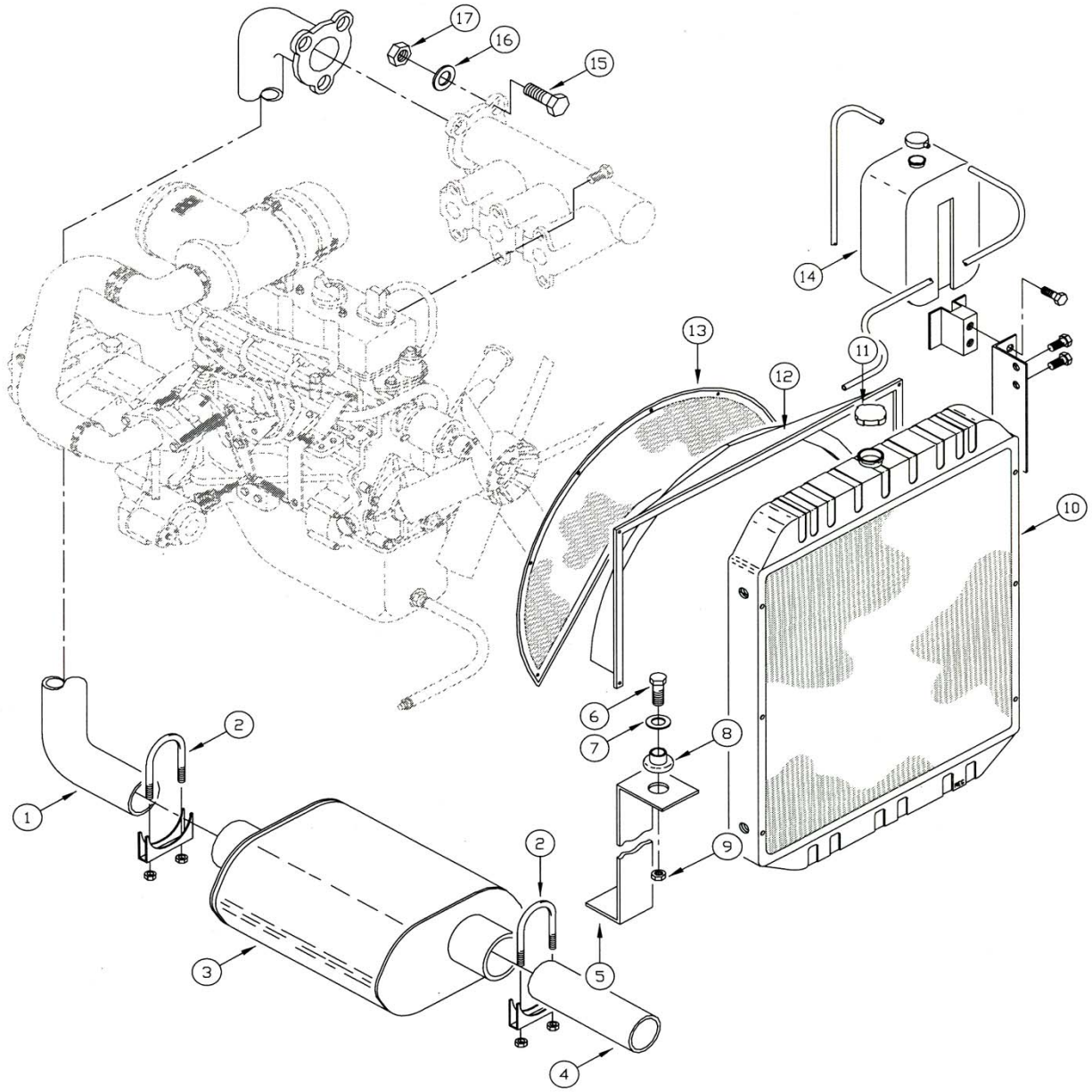
ENGINE GROUP - GASOLINE (CONT.)

REF#	PART #	DESCRIPTION	QUANTITY
39	318741	HOSE 90 AIR INTAKE	1
40	318740	HOSE "U" AIR INTAKE	1
41	318744	HOSE 90 WATER	1
42	306629	ASSY - AIR CLNR	1
43	306604	ELEMENT - AIR CLNR	1
44	318743	RETAINER AIR CLEANER	1
45	316541	BRACE - RADIATOR	1

**ENGINE GROUP - GASOLINE (CONT.)**

REF#	PART #	DESCRIPTION	QUANTITY
39	318741	HOSE 90 AIR INTAKE	1
40	318740	HOSE "U" AIR INTAKE	1
41	318744	HOSE 90 WATER	1
42	306629	ASSY - AIR CLNR	1
43	306604	ELEMENT - AIR CLNR	1
44	318743	RETAINER AIR CLEANER	1
45	316541	BRACE - RADIATOR	1

ENGINE GROUP - GASOLINE

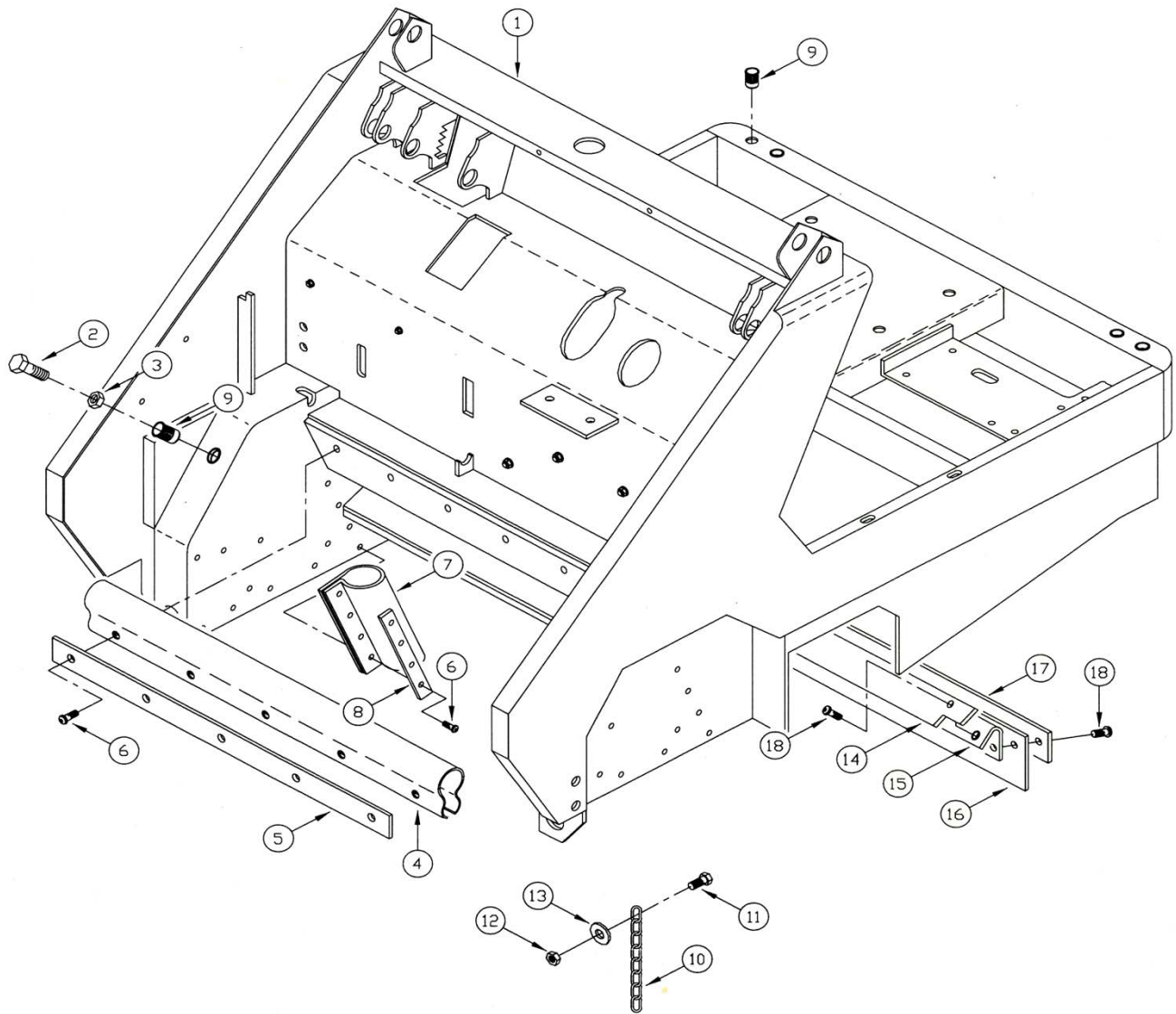


010PA006

ENGINE GROUP - GASOLINE

REF#	PART #	DESCRIPTION	QUANTITY
1	315575	ASSY - EXHAUST MANIFOLD SUB	1
2	301640	CLAMP - EXHAUST 1 3/4	2
3	321290	MUFFLER - SW/9XV STD FORD 1.3	1
4	315317	PIPE - EXTENSION SW/62 GAS/DSL	1
5	318671	MOUNT - EXHAUST SW/62U	1
6	400030	SCR-HEX 3/8-16X1.00 ZP	1
7	400087	WASHER-FLAT 3/8 STANDARD ZP	1
8	300465	MOUNT - ISOLATION	1
9	400079	NUT - HEX 3/8 - 16 ES ZP	1
10	318753	RADIATOR ASSY	1
11	318760	CAP	1
12	318757	SHROUD RADIATOR	1
13	318760	COVER FAN	1
14	318752	TANK COOLANT	1

FRAME GROUP

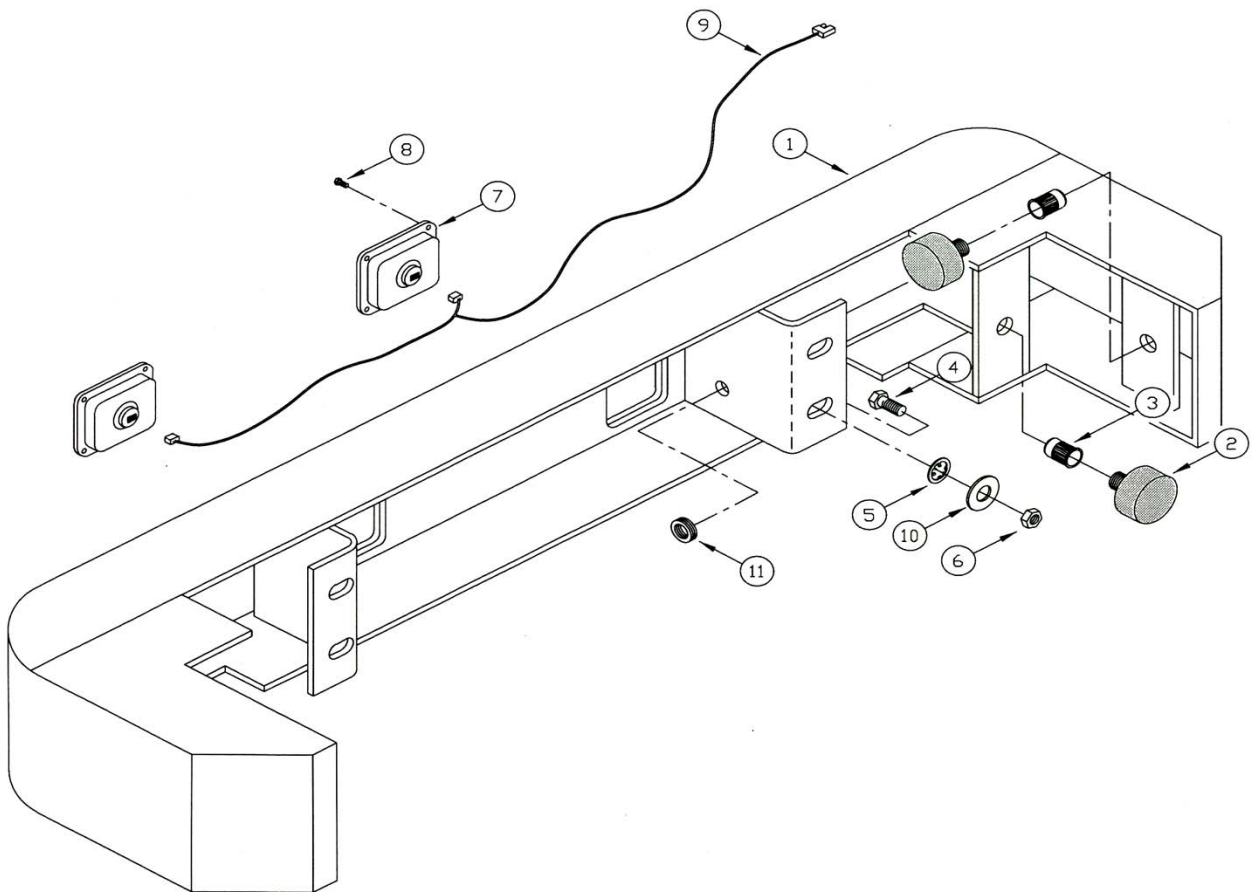


020PA002

**FRAME GROUP**

REF#	PART #	DESCRIPTION	QUANTITY
1	318664	WELD - FRAME SW/62U	1
2	401954	SCR - HEX .50 - 13 X 3.5	2
3	400065	NUT - HEX 1/2 - 13 ZP	2
4	311123	SEAL - FRAME FRONT	1
5	311417	BAR - RETAINER FRONT SEAL PLTD	1
6	400790	SCREW - BHSCS .375 - 16 X 1	23
7	311413	SEAL - HOPPER SIDE	2
8	311414	BAR - SEAL RETAINER PLTD	2
9	322186	INSERT - 3/8 - 16 UNC	35
10	307658	CHAIN - GROUNDING ARMA	1
11	400034	SCR - HEX 5/16 - 18 X 1.25 ZP	1
12	400080	NUT - HEX 5/16 - 18 ES ZP	1
13	400088	WASHER - FLAT 5/16 STANDARD ZP	1
14	318572	FLAP - BROOM CHAMBER	1
15	318571	ANGLE - REAR FLAP	1
16	318573	FLAP - BROOM CHAMBER	1
17	318574	RETAINER - REAR FLAP	1
18	400790	SCREW - BHSCS .375 - 16 X 1	23

FRONT BUMPER GROUP

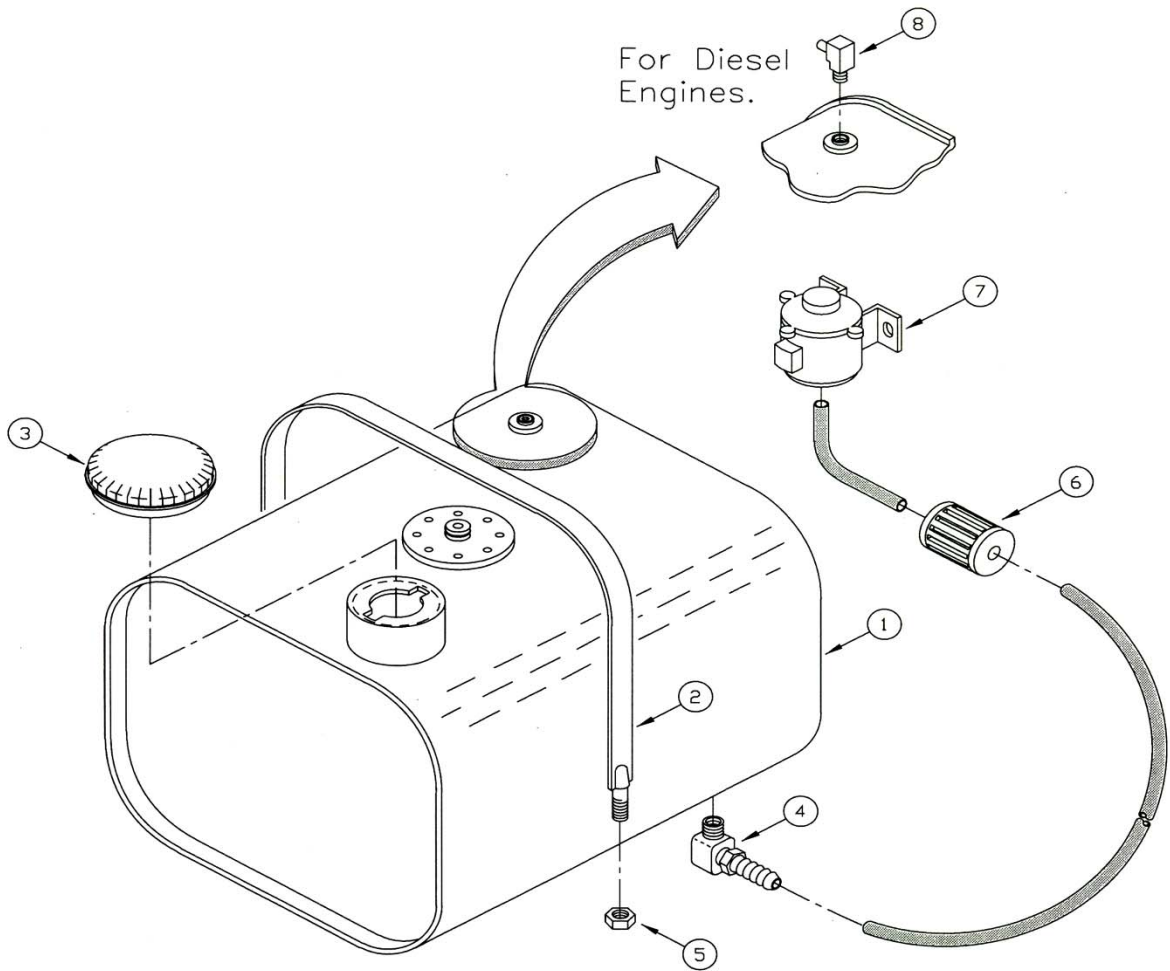


021PA002

FRONT BUMPER GROUP

REF#	PART #	DESCRIPTION	QUANTITY
1	318577	WELD - FRONT BUMPER SW/62U	1
2	316871	BUMPER - RUBBER	4
3	322186	INSERT - 3/8 - 16 UNC	4
4	400029	SCR - HEX 3/8 - 16 X 1.25 ZP	4
5	316981	RETAINER - BUMPER BOLT ARMA	4
6	400079	NUT - HEX 3/8 - 16 ES ZP	4
7	315839	HEADLIGHT - FLUSH MOUNT HALOGEN	2
8	311374	SCR - HEX 1/4 - 14 X 3/4 SELF TAP	8
9	316880	HARNESS - WIRING HEADLIGHTS	1
10	400092	WASHER - FENDER 3/8 ZP	4
11	311564	GROMMET - 1/2 ID RUBBER	1

FUEL TANK GROUP

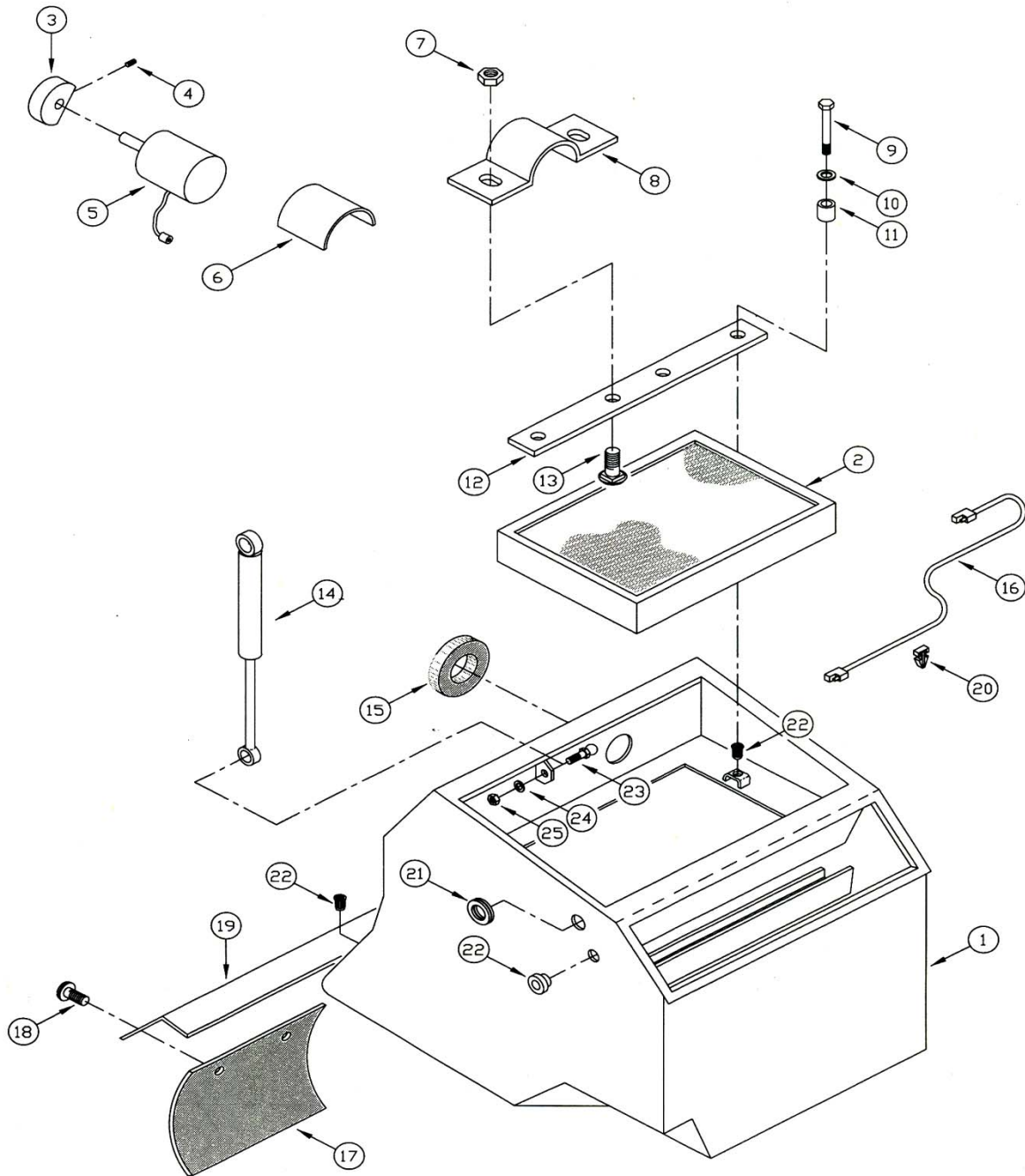


140PA002

FUEL TANK GROUP

REF#	PART #	DESCRIPTION	QUANTITY
2	318386	TANK - FUEL SW/72	1
5	400793	FTG - 90 DEG 3/8 BARB TO 1/4 NPT	1
7A	400657	FTG - HOSE BARB 1/4 MPT - 1/4 HOSE	1
8	318401	STRAP - FUEL TANK SW/72	1
9	400079	NUT - HEX 3/8 -16 ES ZP	1
15	300393	CAP - GAS TANK	1
16	300417	FILTER - FUEL	1
17	309239	PUMP - FUEL (DIESEL)	1
17	PBK12691-52031	PUMP - FUEL (GASOLINE)	1

HOPPER GROUP

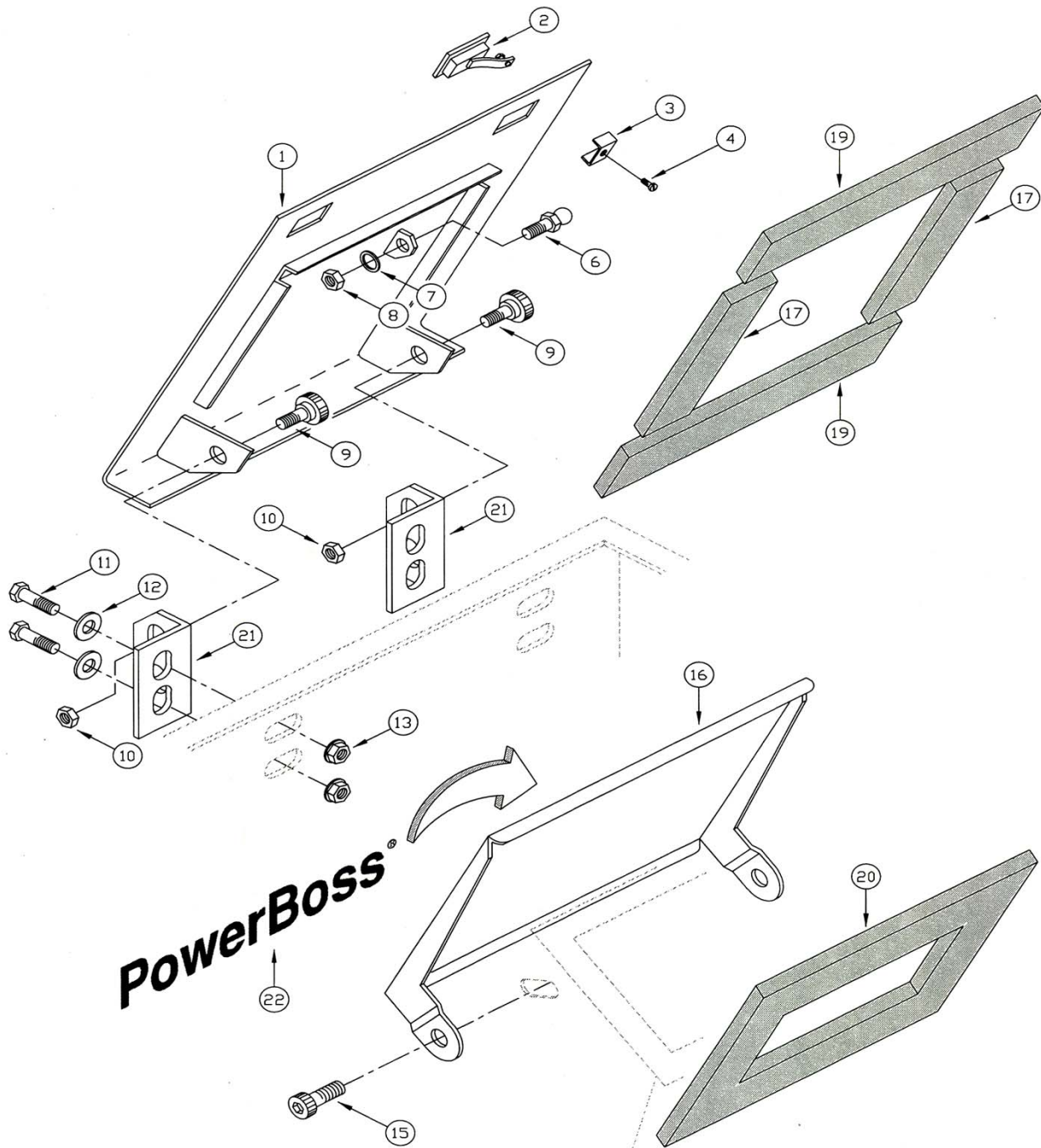


120PA003

HOPPER GROUP

REF#	PART #	DESCRIPTION	QUANTITY
1	318609	WELD - HOPPER SW/62U	1
2	311325	FILTER - HOPPER SW62IC/SW62E	1
3	301053	WEIGHT - ECCENTRIC PNTD	1
4	400055	SCR - SET #10-24 X .31 ZP	1
5	300424	MOTOR - SHAKER FILTER	1
6	300904	MOUNT - NEOPRENE SHAKER MOTOR	1
7	400080	NUT - HEX 5/16 - 18 ES ZP	2
8	300915	RETAINER - SHAKER MOTOR PNTD	1
9	400501	SCR - HEX, 3/8 - 16 X 4.00 ZP	2
10	400233	WASHER - FENDER 5/16 1.00 OD	1
11	307850	ISOLATOR - HOPPER FILTER SW/A	1
12	311456	BAR - FILTER RETAINER	1
13	400009	SCR - CAR, 5/16 - 18 X 1.00 ZP	2
14	305006	SPRING - GAS SW75E	1
15	300405	GASKET - SUCTION TUBE	1
16	302328	HARNESS - WIRING HOPPER	1
17	311237	FLAP - HOPPER LP	4
18	400790	SCREW - BHSCS .375 - 16 X 1	8
19	311238	ANG - HOPPER FLAP RETAINER	1
20	400784	MOUNT - CABLE TIE	3
21	301665	GROMMET - Z - 2056	1
22	322186	INSERT - 3/8 - 16 UNC	12
23	300376	STUD - BALL GAS SPRING	1
24	400102	WASHER - LOCK 5/16 SPLIT ZP	1
25	400070	NUT - HEX 5/16 - 18 ZP	1

HOPPER GROUP (HOPPER LID)

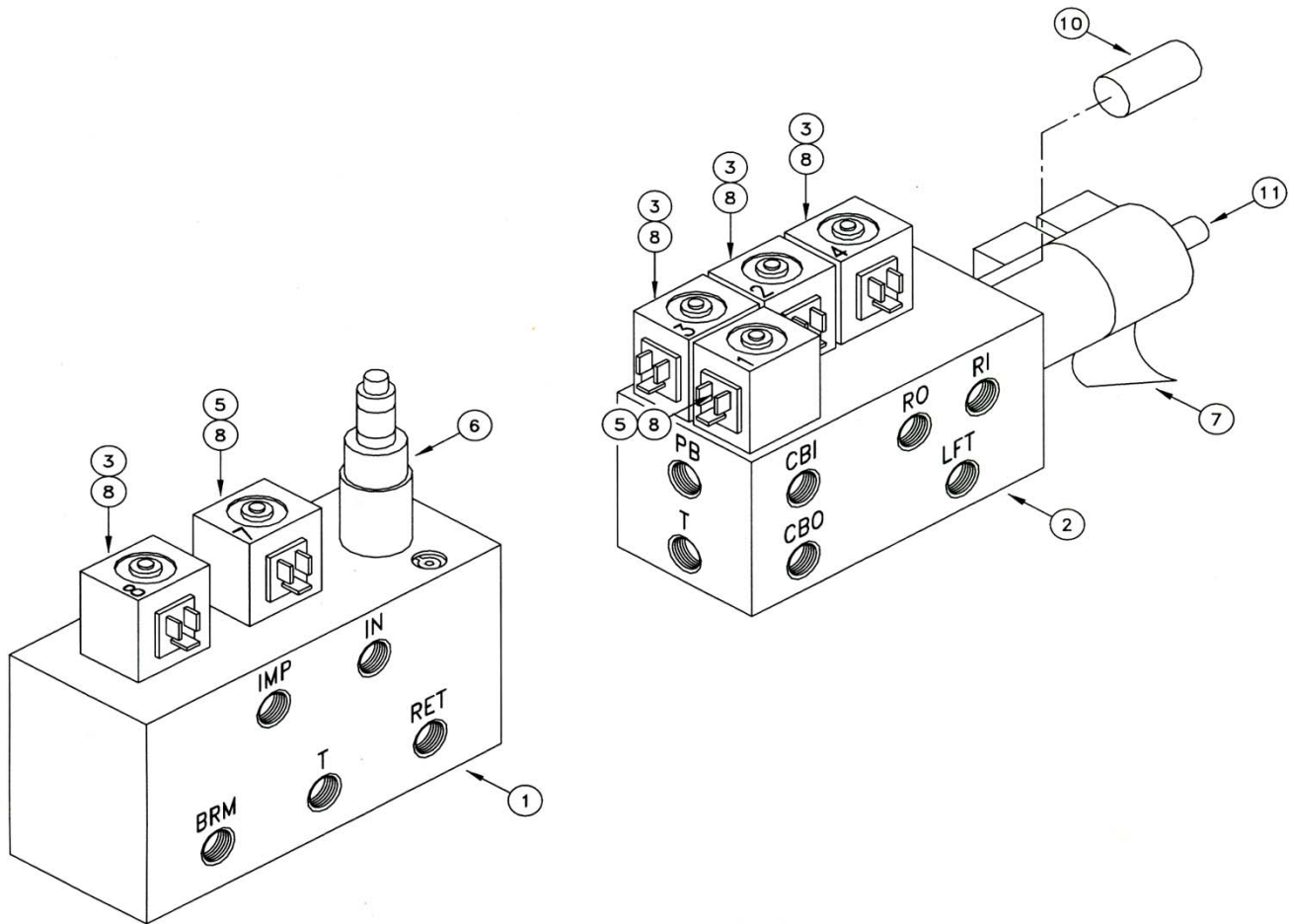


120PA004

HOPPER GROUP (HOPPER LID)

REF#	PART #	DESCRIPTION	QUANTITY
1	311240	WELD - HOPPER HOOD SW/62 PNTD	1
2	300380	LATCH ASSY. #C2-10-301-50	2
3	*	INC W/ #2	2
4	*	INC W/ #2	2
6	300376	STUD - BALL GAS SPRING	1
7	400102	WASHER - LOCK 5/16 SPLIT ZP	1
8	400070	NUT - HEX 5/16 - 18 ZP	1
9	400052	SCR - HSS 5/16 - DIA X .25 ZP	2
10	400063	NUT - FLANGE LOCK 1/4 - 20 ZP	2
11	400035	SCR - HEX, 5/16 - 18 X 1.00 ZP	4
12	400384	WASHER - CONICAL SPRING 5/16	4
13	400390	NUT - FLANGE LOCK 5/16 - 18 ZP	4
15	400170	SCR - HSS 1/2 DIA X .31 ZP	2
16	318325	LID - HOPPER SW/72	1
17	311452	GASKET - FILTER COVER SIDE	2
19	300554	GASKET - HOOD LONG MS	2
20	318327	SEAL - HOPPER LID SW/72	1
21	311245	HINGE - FILTER COVER PAINTED	2
22	307581	DECAL - "POWERBOSS" LOGO	1

HYDRAULIC GROUP - CONTROL VALVE

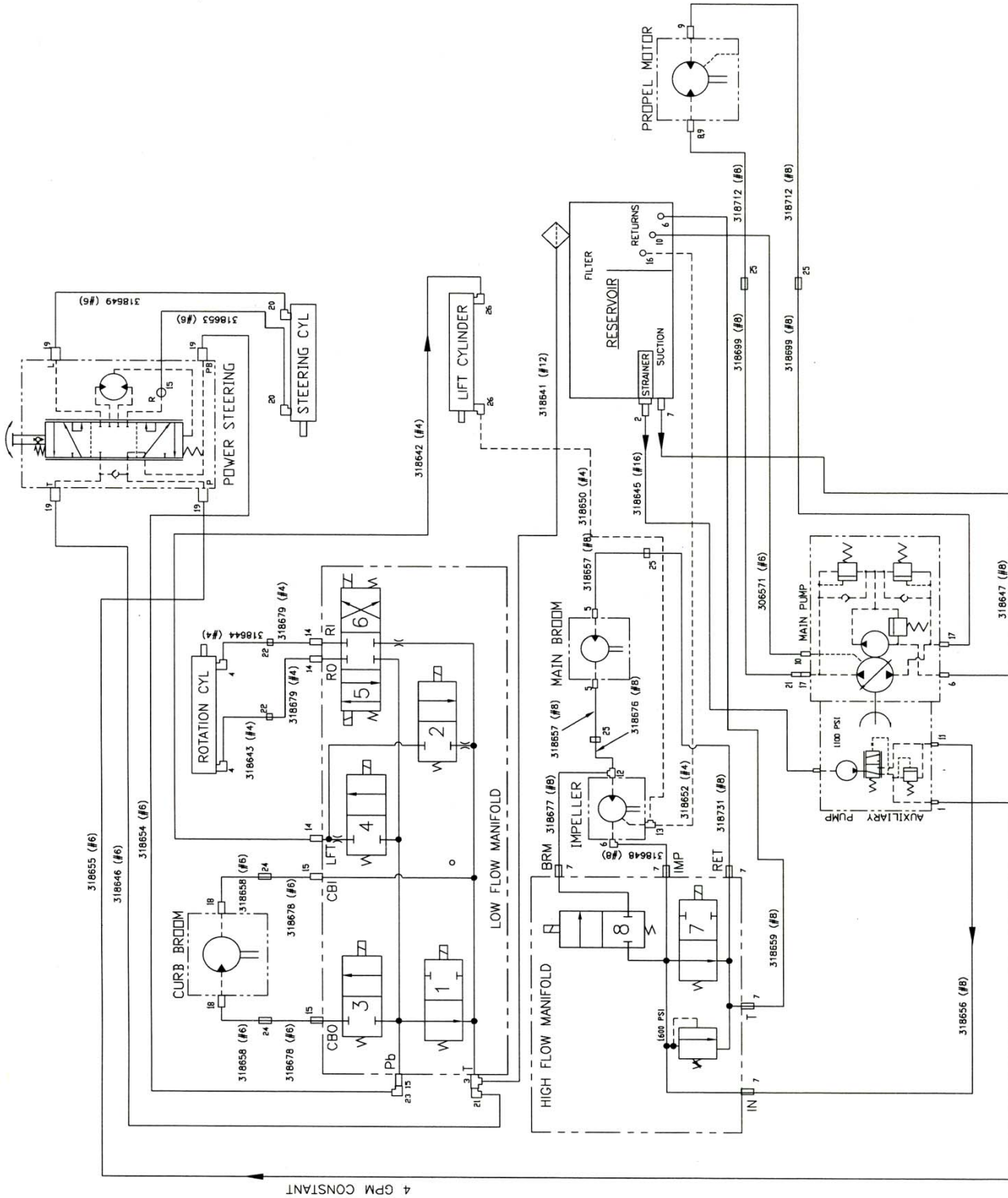


080PA005

HYDRAULIC GROUP - CONTROL VALVE

REF#	PART #	DESCRIPTION	QUANTITY
1	318621	MANIFOLD - HIGH FLOW HYD SW/62U	1
2	318622	MANIFOLD - LOW FLOW HYD SW/62U	1
3	318673	ASSY - FRONT AXLE SUB SW/62U	4
5	318762	VALVE - SOLENOID	2
6	318766	VALVE - RELIEF	1
7	318764	COIL - SOLENOID	2
8	318761	COIL - SOLENOID	6
10	318769	VALVE - CHECK	1
11	318765	VALVE - 4 WAY SOLENOID	1

HYDRAULIC GROUP - HYDRAULIC SCHEMATIC



HYDRAULIC GROUP - HYDRAULIC SCHEMATIC

DEVICE *	P/N	FLOW-DUT	DISPL	PRESS (PSI)	TEMP	HP LOSS	RPM/TIME
CYLINDER- LIFT	307243	3.3 GPM	65.0 IN ³	1100	N/A		5 SEC
CYLINDER- ROTATION	307323	1.8 GPM	28.6 IN ³	1100			4 SEC
CYLINDER- STEERING	318452	4 GPM	25.1 IN ³	1100			5 SEC
FILTER	318581	N/A	N/A	N/A			N/A
MANIFOLD- LO FLOW	318622	4 GPM	N/A	2000 PSI			
MANIFOLD- HI FLOW	318621	8-11 GPM	N/A	1000 PSI			
MOTOR- CURB BROOM	318532	4 GPM	9.5 IN ³	70 PSI			97 RPM
MOTOR- IMPELLER	313008	11 GPM	.453 IN ³	700 PSI			5610 RPM
MOTOR- MAIN BROOM	316894	11 GPM	4.5 IN ³	500 PSI			510 RPM
MOTOR- PROPEL	318586	0-11.5 GPM	19 IN ³	2500 PSI			N/A
PUMP- AUXILIARY	318623	14.4 GPM	1.55 IN ³	1100 DUT			2150 RPM
PUMP- MAIN	303581	0-11.5 GPM	1.24 IN ³	500 PSI			2150 RPM
RESEVOIR	318632	25.9 GPM	12.2 GAL	N/A	*192°F		N/A
STEERING UNIT	318471	4 GPM	80 CM ³	N/A	N/A		N/A
STRAINER	307573	N/A	N/A	N/A	N/A	N/A	N/A

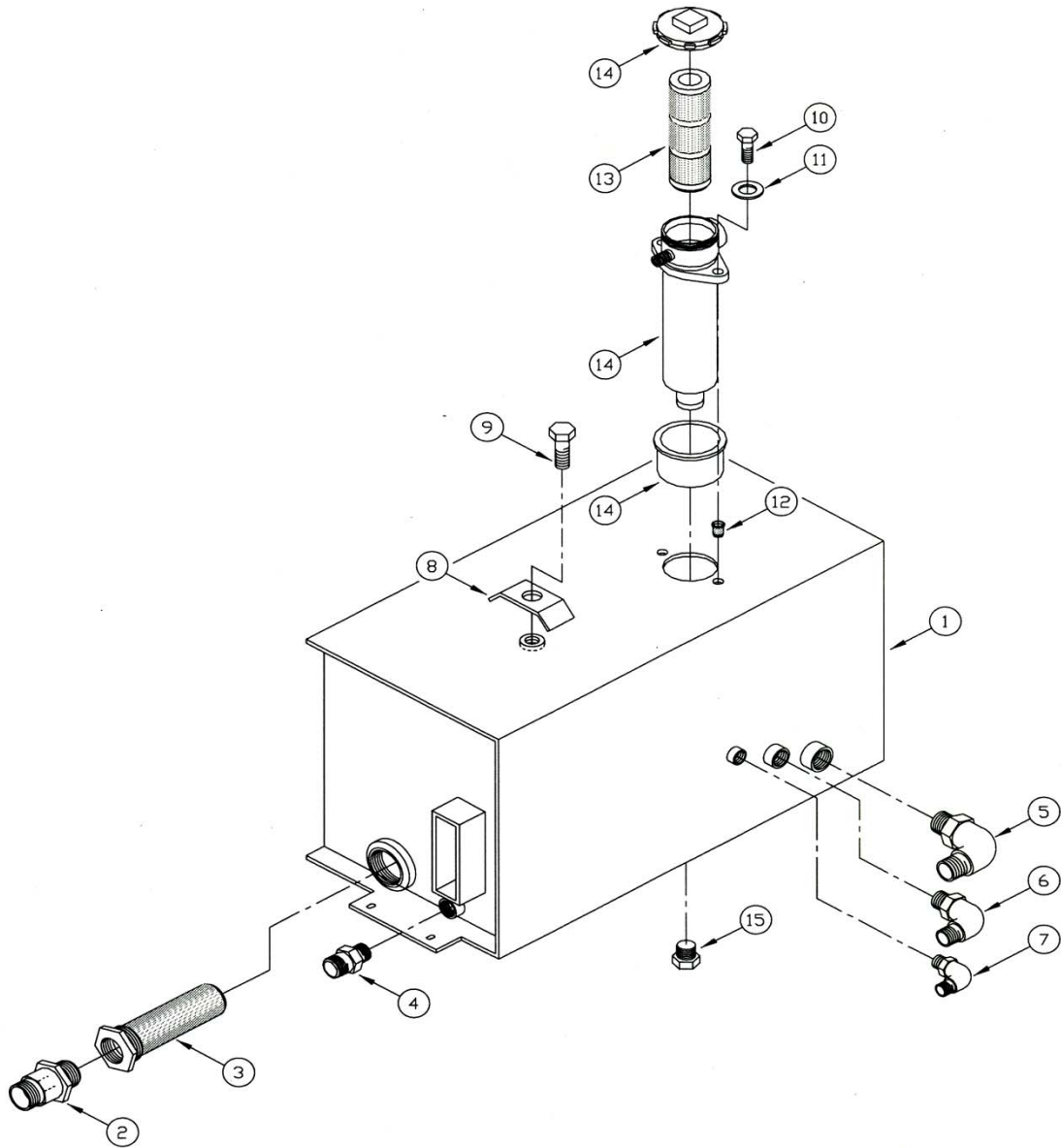
*- DATA PARAMETERS: 2150 PUMP RPMS, SWEEPING ON LEVEL GROUND WITH AN EMPTY HOPPER @ 92°F AMBIENT

ITEM	FITTING DESCRIPTION	P/N
14	CONN (.56-18 to #4)	400264
15	CONN (.56-18 to #6)	400635
16	90° EL (.56-18 to #4)	400470
17	CONN (.106 to #8)	400849
18	CONN (.88-14 to #6)	400822
19	CONN (.75-16 to #6)	400648
20	90° EL (.50-20 to #6)	400634
21	90° SWIVEL EL (#8)	400244
22	BULKHEAD (#4)	400857
23	90° SWIVEL EL (#6)	400843
24	BULKHEAD (#6)	400858
25	BULKHEAD (#8)	400859
26	90° EL (.44-20 to #4)	302407

ITEM	FITTING DESCRIPTION	P/N
1	90° EL (.88-14 to #6)	400848
2	CONN (1"NPT to #16)	400847
3	TEE (.75-16 to #8 to #8)	400850
4	90° EL (.50-20 to #5)	400152
5	CONN (.88-14 to #8)	400151
6	90° EL (.75-16 to #8)	400154
7	CONN (.75-16 to #8)	304899
8	ADAPTER (.88-14 x .75-16)	400166
9	SWIVEL (.75-14 to #8)	400169
10	90° EL (.56-18 to #6)	400153
11	90° EL (.88-14 to #8)	400155
12	TEE (.75-16 to #8)	400163
13	TEE (.44-20 X #4 X #4)	400844

FUNCTION	SOLENOID LOGIC TABLE							
	#1	#2	#3	#4	#5	#6	#7	#8
CURB BROOM ON	ENERG							
LIFT HOPPER	ENERG		ENERG					
LOWER HOPPER		ENERG						
DUMP HOPPER	ENERG				ENERG			
RETRACT HOPPER	ENERG					ENERG		
M'BROOM & DUST CONTROL - ON							ENERG	
DUST CONTROL - OFF							ENERG	

HYDRAULIC GROUP - HYDRAULIC RESERVOIR

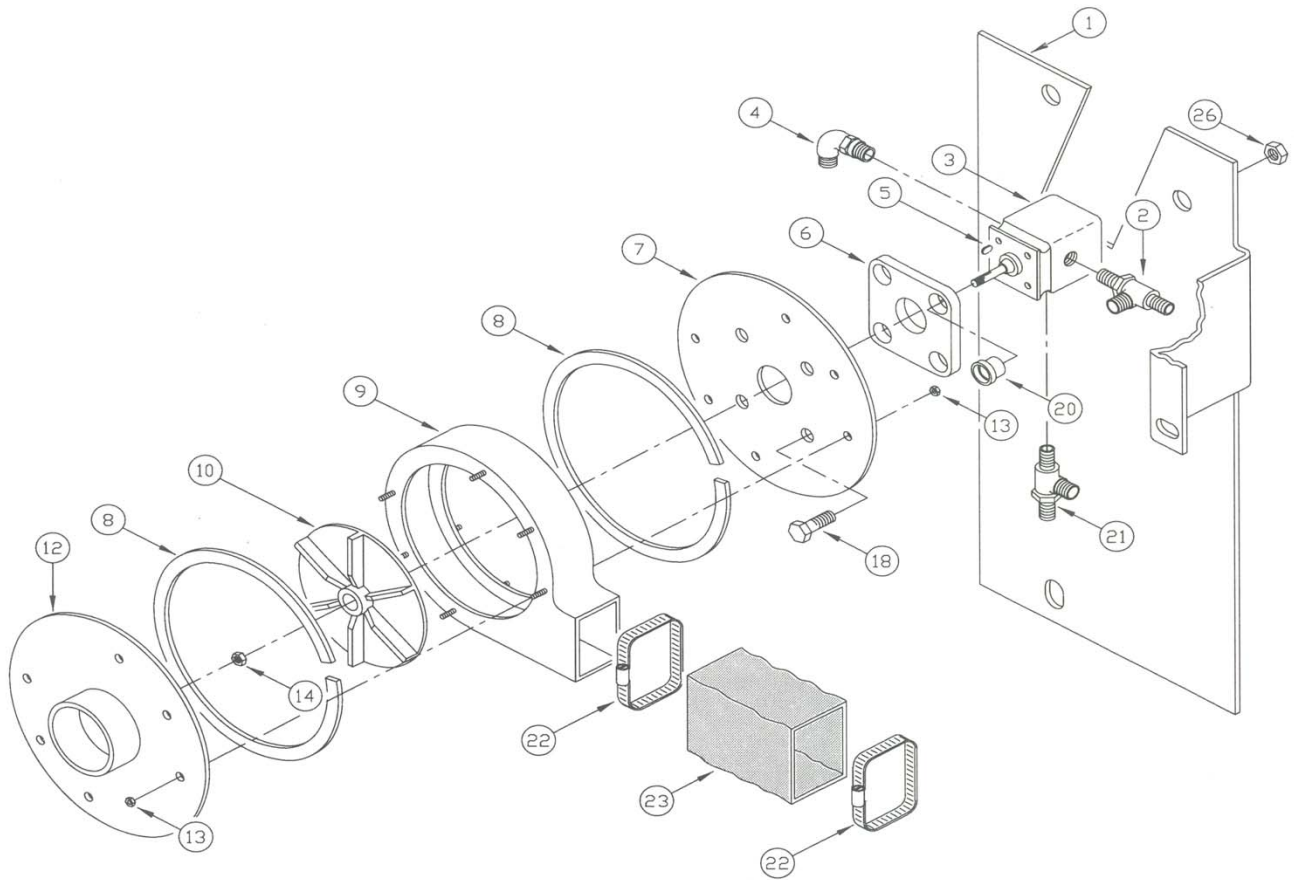


080PA006

HYDRAULIC GROUP - HYDRAULIC RESERVOIR

REF#	PART #	DESCRIPTION	QUANTITY
1	318612	WELD - HYDRAULIC RESERVOIR SW/62U	1
2	400847	FTG - STR CONN (16 FTX-S)	1
3	307573	STRAINER - HYDRAULIC TM-15	1
4	304899	FTG - ADAP 3/4 - 16 TO 1/2 OD TUBE	1
5	400154	FTG - 90 3/4 - 16 TO #8	1
6	400153	FTG - 90 9/16 - 18 TO #6	1
7	400470	FTG - 90 9/16 - 18 TO #4 JIC	2
8	301437	HOSE CLAMP PLTD	1
9	400028	SCR - HEX 3/8 - 16 X 1.50 ZP	1
10	400029	SCR - HEX 3/8 - 16 X 1.25 ZP	2
11	400385	WASHER - CONICAL SPRING 3/8	2
12	322189	INSERT - 3/8 - 16 UNC	2
13	318738	ELEMENT - FILTER	1
14	318581	FILTER - IN TANK	1
15	400164	FTG - PLUG	1

IMPELLER GROUP

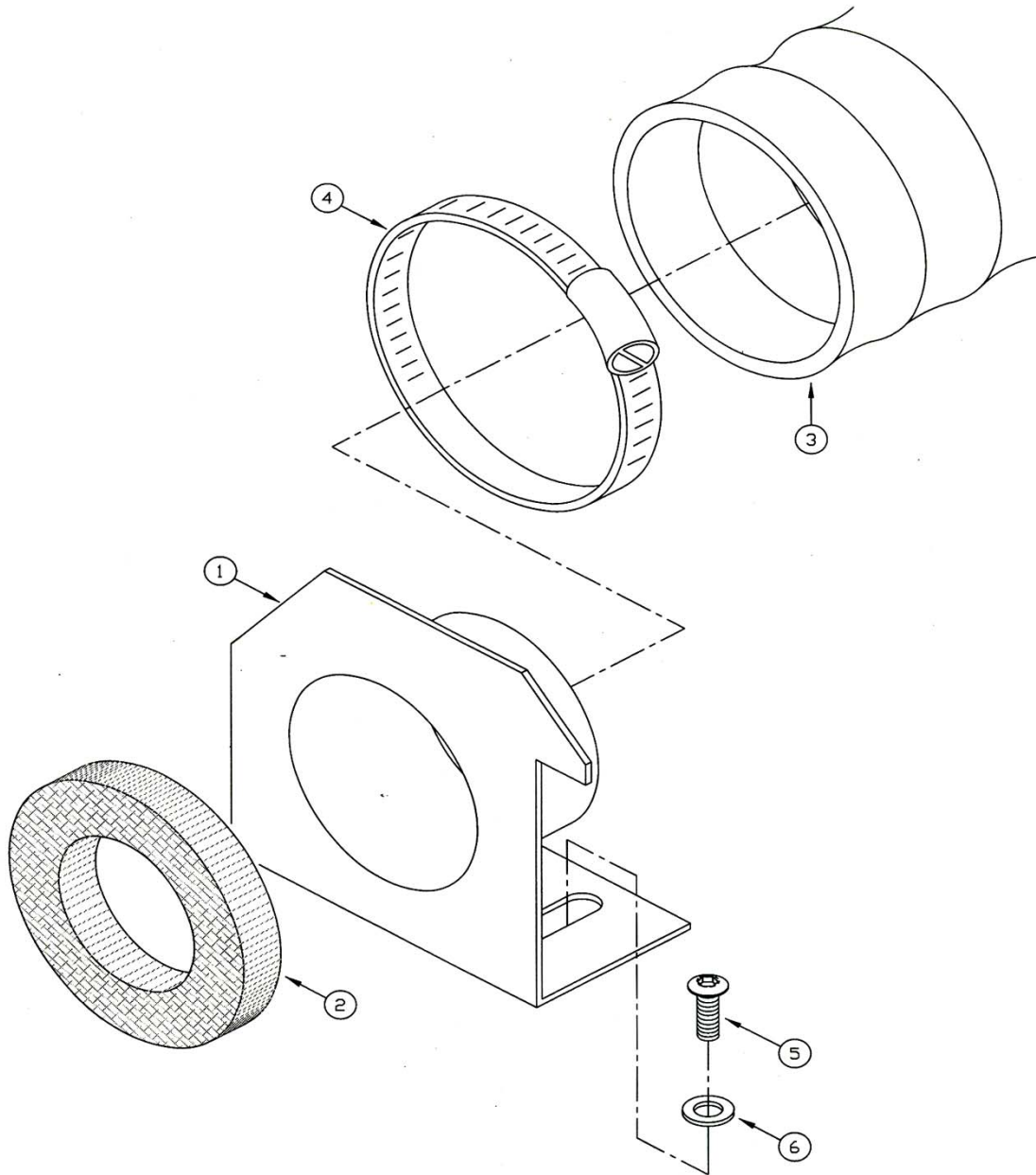


121PA003

**IMPELLER GROUP**

REF#	PART #	DESCRIPTION	QUANTITY
1	318639	MOUNT - IMPELLER SW/62U	1
2	400163	FTG - TEE OFFSET 3/4 - 16 TO #8	1
3	313008	MOTOR - HYD IMPELLER SW/62 DSL	1
4	400154	FTG - 90 3/4-16 TO #8	1
5	300344	KEY - 1/8 X 1/8 X 3/4	1
6	307152	WELD - IMP. MOTOR MNT SW/A PNTD	1
7	322121	MOUNT - IMP MOTOR PNTD SW/A	1
8	304183	GASKET - IMPELLER SW/75	2
9	307004	SHROUD - IMPELLER SW/A PNTD	1
10	307003	IMPELLER - ARMA CASTING & MACHIN	1
12	311334	ASSY - IMPELLER INLET PLATE PNTD	1
13	400081	NUT - HEX 1/4-20 ES ZP	14
14	400420	NUT - HEX 5/16 - 24 ES	1
16	400089	WASHER - FLAT 1/4 STANDARD ZP	4
17	400406	SCR - HEX 1/4 - 20 X 3.75 ZP	2
18	400027	SCR - HEX 3/8 - 16 X 1.75 ZP	4
20	300465	MOUNT - ISOLATION	4
21	400844	FTG - 4R50X-S	1
22	401953	CLAMP - HOSE 2.5/5.5	2
23	318723	AIR DUCT - SW/62U	1
26	400079	NUT - HEX 3/8 - 16 ES ZP	4

IMPELLER GROUP - GASKET MOUNT

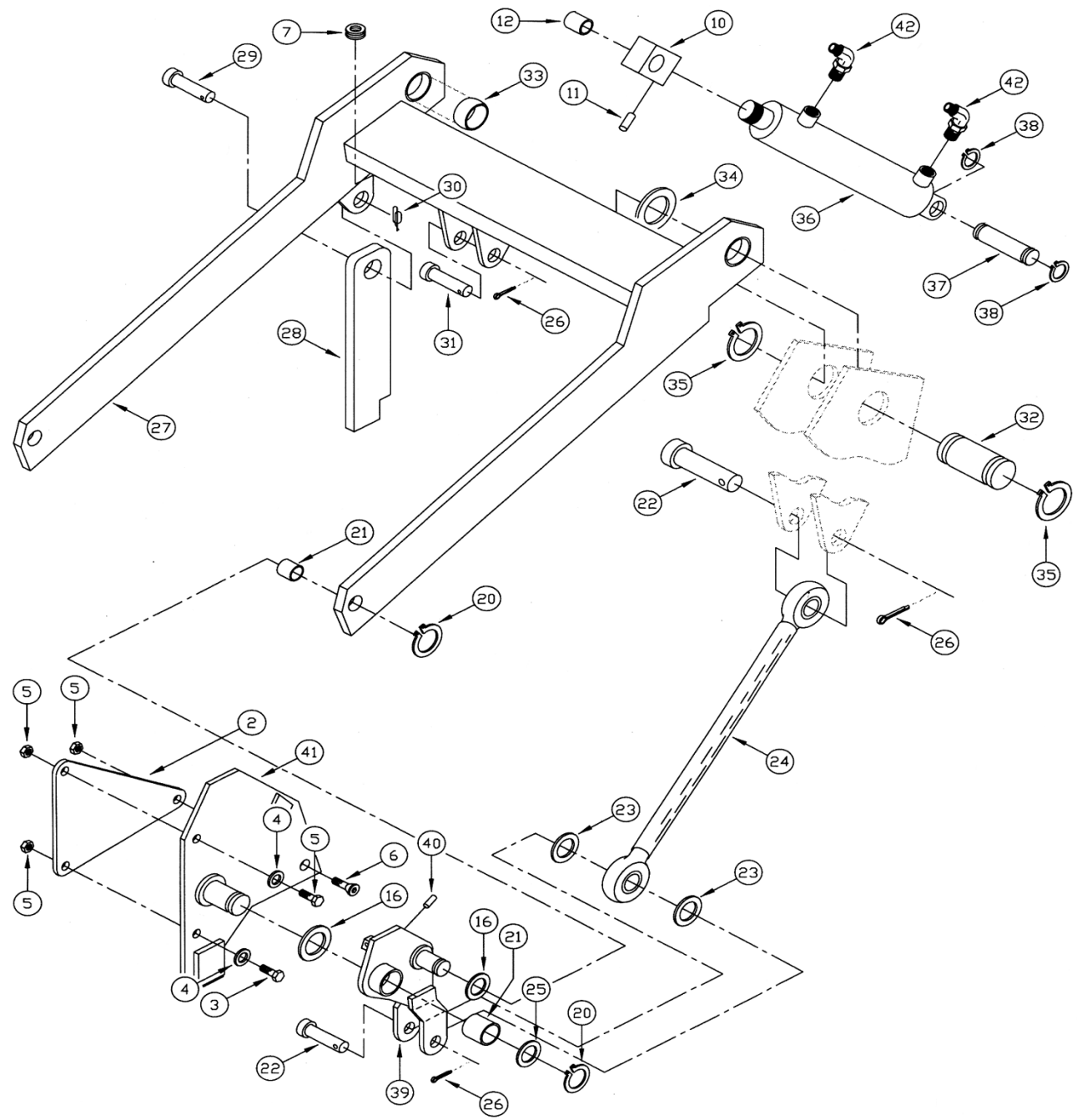


121PA004

IMPELLER GROUP - GASKET MOUNT

REF#	PART #	DESCRIPTION	QUANTITY
1	318473	WELD - GASKET MOUNT SW/72	1
2	307005	GASKET - IMPELLER SW/A	1
3	309034	HOSE - IMPELLER 82	1
4	300351	CLAMP - HOSE 4 1/2" DIA	1
5	400790	SCREW - BHSCS .375 - 16 X 1	2
6	400385	WASHER - CONICAL SPRING 3/8	2

LIFT ARM GROUP

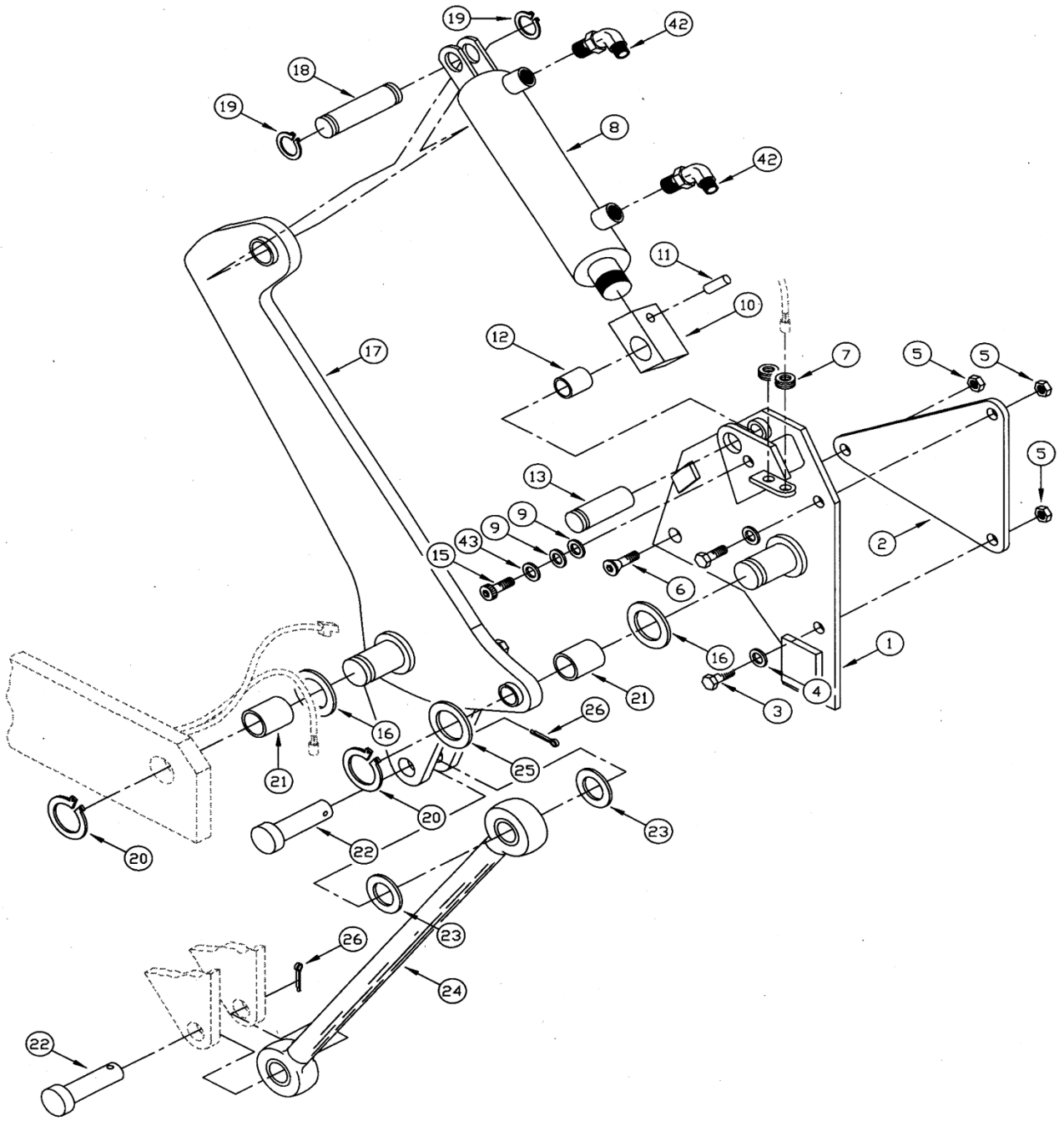


022PA004

LIFT ARM GROUP

REF#	PART #	DESCRIPTION	QUANTITY
1	311206	ASSY - ROTATION PLATE RH	1
2	311244	PLATE - HOPPER DOUBLER	2
3	400030	BOLT - 3/8-16 X 1.0 LONG	4
4	400087	WASHER - 3/8 FLAT	4
5	400392	NUT - 3/8-16 FLANGE LOCK	6
6	400444	SCREW - FLAT HD 3/8-16 X 1.0	2
7	301665	GROMMET - Z2056	3
8	307323	CYLINDER - ROTATION	1
8A	304626	KIT - CYLINDER SEAL	1
8B	309289	KIT - CYLINDER SEAL	1
9	400092	WASHER - 3/8 FENDER	2
10	300229	ASSY - BLOCK CYLEND PLTD	2
11	400054	SCREW - SET 1/4-20 X .25 LONG ZP	2
12	300552	BEARING - 1.0 ID X 1.50 LG	2
13	311213	PIN - ROTATION PLATE CYLINDER ZP	1
15	400219	BOLT - 5/16-18 X .50 ZP	1
16	311458	BEARING - FIBERGLIDE LTD-2442	4
17	311200	ASSY - LIFT ARM CYLINDER MOUNT	1
18	307607	PIN - CYL RETAINING	1
19	301998	RETAINING RING	2
20	311330	RETAINING RING 5100-150	4
21	311457	BEARING - FIBERGLIDE CJS-2428	4
22	400439	PIN - CLEVIS 3/4 X 2.00	2
23	311012	WASHER - HI-DUMP SPACER SEC. ARM	4
24	311216	ASSY - SECONDARY LIFT ARM	2
25	311219	WASHER - SPACER ROTATION PLATE	2
26	400120	PIN - COTTER 5/32 X 2.0 ZP	5
27	318555	WELD - LIFT ARM SW/62U	1
28	311316	SAFETY ARM	1
29	400462	PIN - CLEVIS 5/8 X 1.5	1
30	400124	PIN - COTTER 5/8 RUE-RING	1
31	400472	PIN - CLEVIS 1.0 X 3.0 ZP	1
32	311197	PIN - UPPER LIFT ARM ZP	2
33	300836	BEARING - 2.18 OD X 2.00 ID X .75	2
34	311295	WASHER - SPACER LIFT PINS ZP	4
35	311379	RING - RETAINING 5100-175 1.75	4
36	307243	CYLINDER - LIFT	1
37	307408	PIN - CYLINDER MOUNT	1
38	307431	RING - RETAINING 5100-125	2
39	311198	ASSY - LIFT ARM IDLER	1
40	400446	SCREW - SET 3/8-24 X 1.25 ZP	4
41	311212	ASSY - ROTATION PLATE LH	1
42	400152	FTG - 90 1/2 - 20 TO #5	4

LIFT ARM GROUP (CONT.)

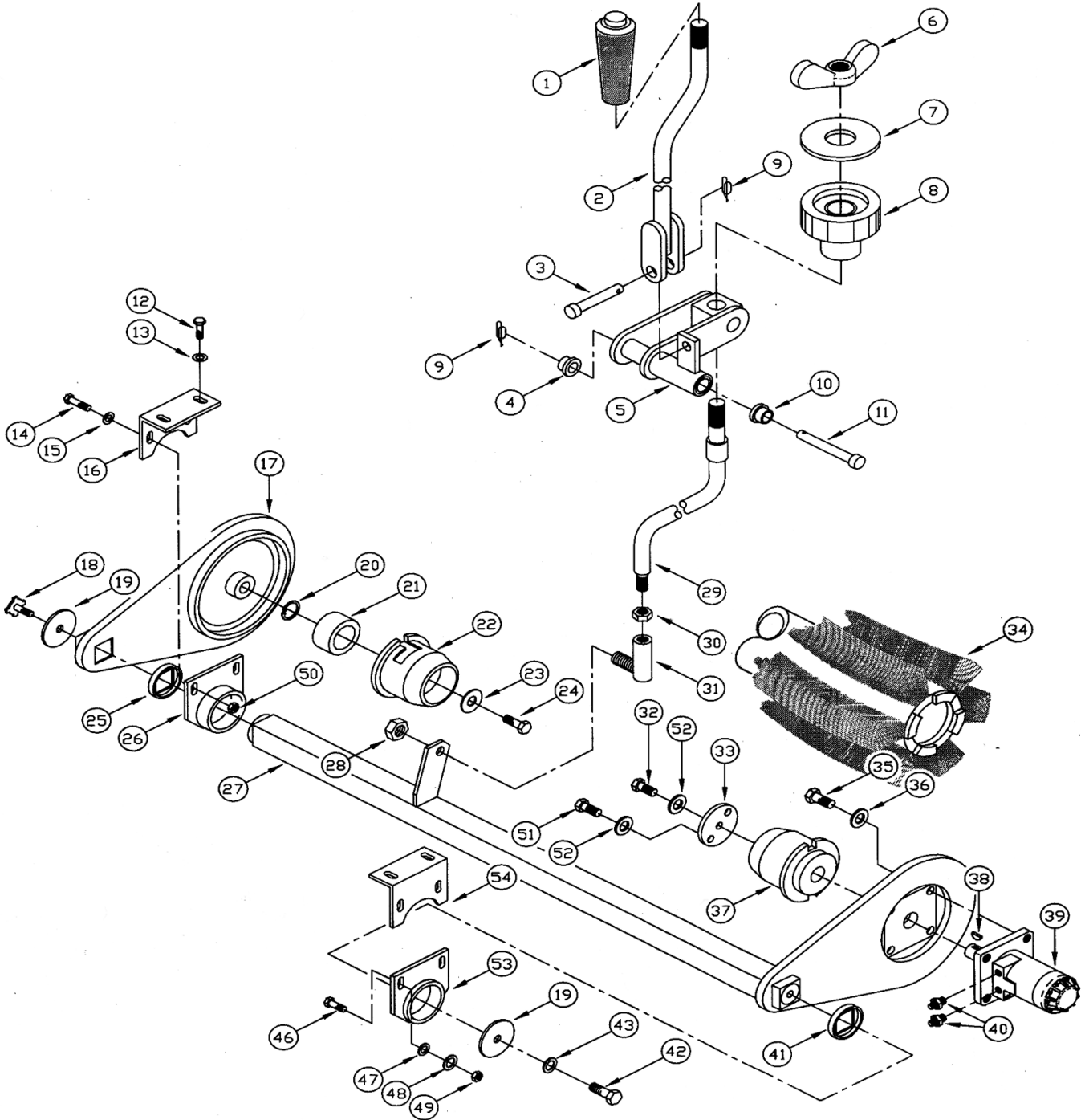


022PA003

LIFT ARM GROUP (CONT.)

REF#	PART #	DESCRIPTION	QUANTITY
1	311206	ASSY - ROTATION PLATE RH	1
2	311244	PLATE - HOPPER DOUBLER	2
3	400030	BOLT - 3/8-16 X 1.0 LONG	4
4	400087	WASHER - 3/8 FLAT	4
5	400392	NUT - 3/8-16 FLANGE LOCK	6
6	400444	SCREW - FLAT HD 3/8-16 X 1.0	2
7	301665	GROMMET - Z2056	3
8	307323	CYLINDER - ROTATION	1
8A	304626	KIT - CYLINDER SEAL	1
8B	309289	KIT - CYLINDER SEAL	1
9	400092	WASHER - 3/8 FENDER	2
10	300229	ASSY - BLOCK CYL END PLTD	2
11	400054	SCREW - SET 1/4-20 X .25 LONG ZP	2
12	300552	BEARING - 1.0 ID X 1.50 LG	2
13	311213	PIN - ROTATION PLATE CYLINDER ZP	1
15	400219	BOLT - 5/16-18 X .50 ZP	1
16	311458	BEARING - FIBERGLIDE LTD-2442	4
17	311200	ASSY - LIFT ARM CYLINDER MOUNT	1
18	307607	PIN - CYL RETAINING	1
19	301998	RETAINING RING	2
20	311330	RETAINING RING 5100-150	4
21	311457	BEARING - FIBERGLIDE CJS-2428	4
22	400439	PIN - CLEVIS 3/4 X 2.00	2
23	311012	WASHER - HI-DUMP SPACER SEC. ARM	4
24	311216	ASSY - SECONDARY LIFT ARM	2
25	311219	WASHER - SPACER ROTATION PLATE	2
26	400120	PIN - COTTER 5/32 X 2.0 ZP	5
27	318555	WELD - LIFT ARM SW/62U	1
28	311316	SAFETY ARM	1
29	400462	PIN - CLEVIS 5/8 X 1.5	1
30	400124	PIN - COTTER 5/8 RUE-RING	1
31	400472	PIN - CLEVIS 1.0 X 3.0 ZP	1
32	311197	PIN - UPPER LIFT ARM ZP	2
33	300836	BEARING - 2.18 OD X 2.00 ID X .75	2
34	311295	WASHER - SPACER LIFT PINS ZP	4
35	311379	RING - RETAINING 5100-175 1.75	4
36	307243	CYLINDER - LIFT	1
37	307408	PIN - CYLINDER MOUNT	1
38	307431	RING - RETAINING 5100-125	2
39	311198	ASSY - LIFT ARM IDLER	1
40	400446	SCREW - SET 3/8-24 X 1.25 ZP	4
41	311212	ASSY - ROTATION PLATE LH	1
42	400152	FTG - 90 1/2 - 20 TO #5	4

MAIN BROOM GROUP

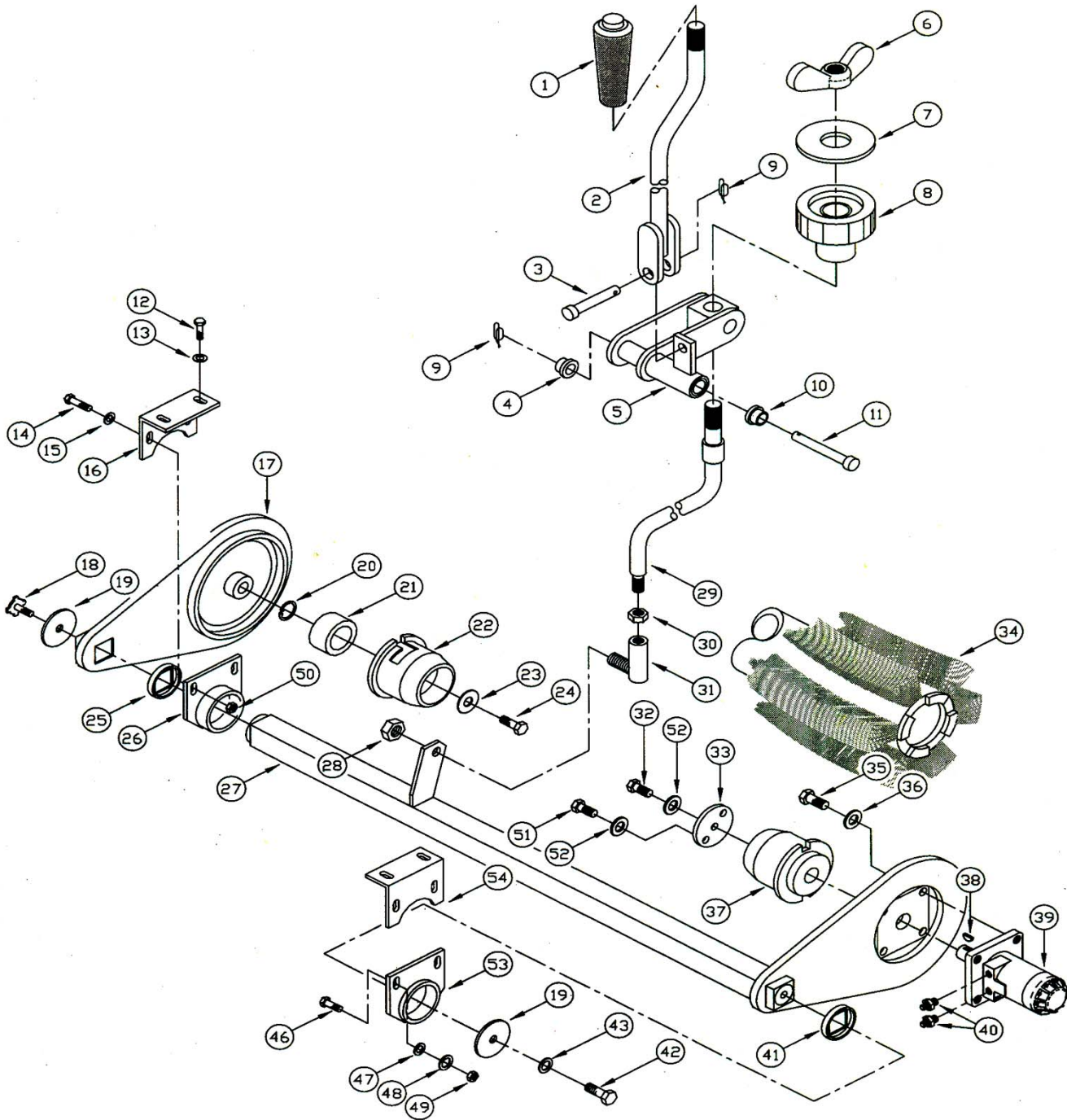


090PA002

MAIN BROOM GROUP

REF#	PART #	DESCRIPTION	QUANTITY
1	300558	KNOB - TAPERED #145 BLACK	1
2	318425	WELD - MAIN BRM LIFT LEVER SW/72	1
3	400117	PIN - CLEVIS 3/8 X 1 - 1/8 ZP	1
4	300414	BUSHING - PLASTIC MN BRM	1
5	318390	WELD - MAIN BRM LIFT ARM SW/72	1
6	400084	NUT - WING 1/2 - 13 ZP	1
7	400091	WASHER - FENDER 1/2 ZP	1
8	300352	KNOB - MB LIFT HDJ	1
9	400125	PIN - COTTER 3/8 RUE RING	2
10	300414	BUSHING - PLASTIC MN BRM	1
11	400113	PIN - CLEVIS 3/8 X 5 - 1/2 ZP	1
12	400030	SCR - HEX, 3/8 - 16 X 1.00 ZP	2
13	400385	WASHER - CONICAL SPRING 3/8	2
14	400030	SCR - HEX, 3/8 - 16 X 1.00 ZP	2
15	400385	WASHER - CONICAL SPRING 3/8	2
16	318675	ANGLE - MAIN BROOM TUBE BRG MNT	1
17	311147	ASSY - MAIN BROOM IDLER ARM PNTD	1
18	318429	KNOB - MB IDLER RETAINER SW/72	1
19	311013	WASHER - MAIN BROOM RETAINER PLTD	1
20	300475	RING - RET INT 2.06	1
21	309618	BEARING - STEERING ARM 205PP	1
22	301051	HUB - BROOM IDLER PNTD	1
23	400091	WASHER - FENDER 1/2 ZP	1
24	400022	SCR - HEX, 1/2-13 X 1.25 ZP	1
25	311022	BUSHING - MAIN BROOM	1
26	311161	WELDMENT - MAIN BROOM TUBE BRG MNT R/H	1
27	318569	WELD - PIVOT TUBE SW/62U	1
28	400342	NUT - HEX 3/8 - 24 ES ZP	1
29	318464	ROD - MAIN BROOM LIFT SW/72	1
30	400067	NUT - HEX 3/8 - 24 ZP	1
31	300461	BALL JOINT - 3/8 - 24 W/DUST COV	1
32	400049	SCR - SOC, 1/4 - 20 X 0.75 ZP NYLOCK	3
33	301285	RETAINER - DR HUB PLTD	1
34	300314	36" NYLON MAIN BROOM	1
	300302	36" PROEX & WIRE MAIN BROOM	option
	300304	36" HIGH DENSITY NYLON MAIN BROOM	option
	300312	36" POLY PROEX MAIN BROOM	option
	300316	36" PATROL (HERRINGBONE) MAIN BROOM	option
	300320	36" HIGH DENSITY NATURAL FIBRE & WIRE MN BROOM	option
	300324	36" NATURAL FIBRE & WIRE MAIN BROOM	option
	300326	36" CRINKLE WIRE MAIN BROOM	option
35	400032	SCR - HEX, 3/8 - 16 X 0.75 ZP	4

MAIN BROOM GROUP

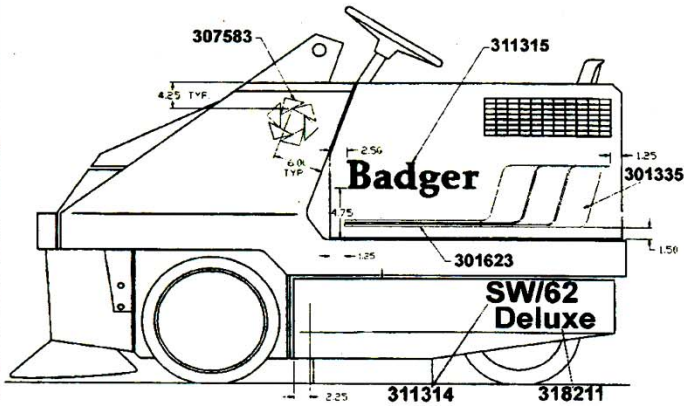


090PA002

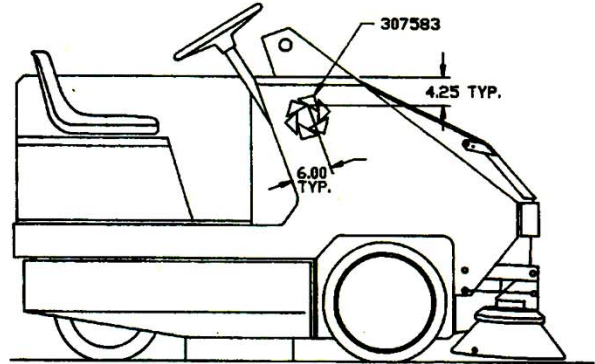
MAIN BROOM GROUP

REF#	PART #	DESCRIPTION	QUANTITY
36	400101	WASHER - LOCK 3/8 SPLIT ZP	4
37	301050	HUB - MB DRIVE PNTD	1
38	302082	KEY - HYD MOTOR CURB BROOM	1
39	316894	MOTOR - HYD M BROOM 62IC THRU 77	1
40	400151	FTG - STR 7/8 - 14 TO #8	2
41	311022	BUSHING - MB PLASTIC	1
42	400032	SCR - HEX, 3/8 - 16 X 0.75 ZP	1
43	400101	WASHER - LOCK 3/8 SPLIT ZP	1
44	312277	ASSY - WD BRG MNT RETAINER PNTD	1
45	312276	ASSY - WD BRG MNT M-BRM PLTD	1
46	400379	SCR - CAR, 3/8 - 16 X 1.00 ZP	2
47	400087	WASHER - FLAT 3/8 STANDARD ZP	2
48	400101	WASHER - LOCK 3/8 SPLIT ZP	2
49	400068	NUT - HEX 3/8 - 16 ZP	2
50	400392	NUT - FLANGE LOCK 3/8 - 16	4
51	400049	SCR - SOC, 1/4 - 20 X 0.75 ZP NYLOCK	3
52	400103	WASHER - LOCK 1/4 SPLIT ZP	3
53	318674	BEARING - MOUNT L/H	1
54	318634	ANGLE - L/H	1

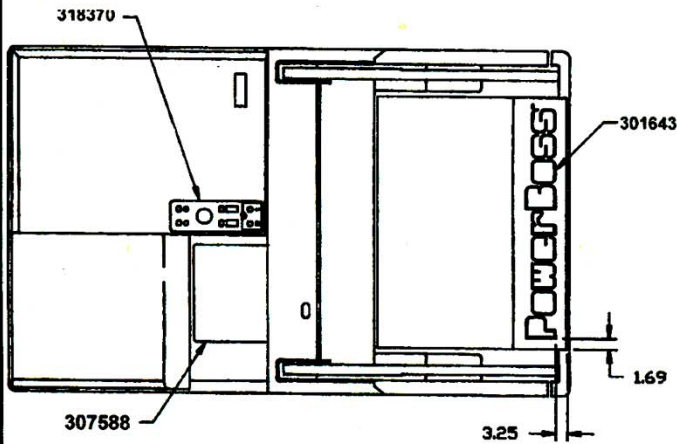
MISCELLANEOUS GROUP - DECALS



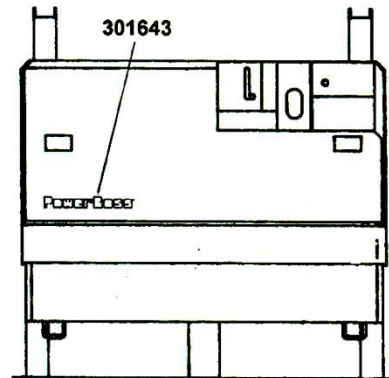
LEFT-HAND VIEW



RIGHT-HAND VIEW



TOP VIEW



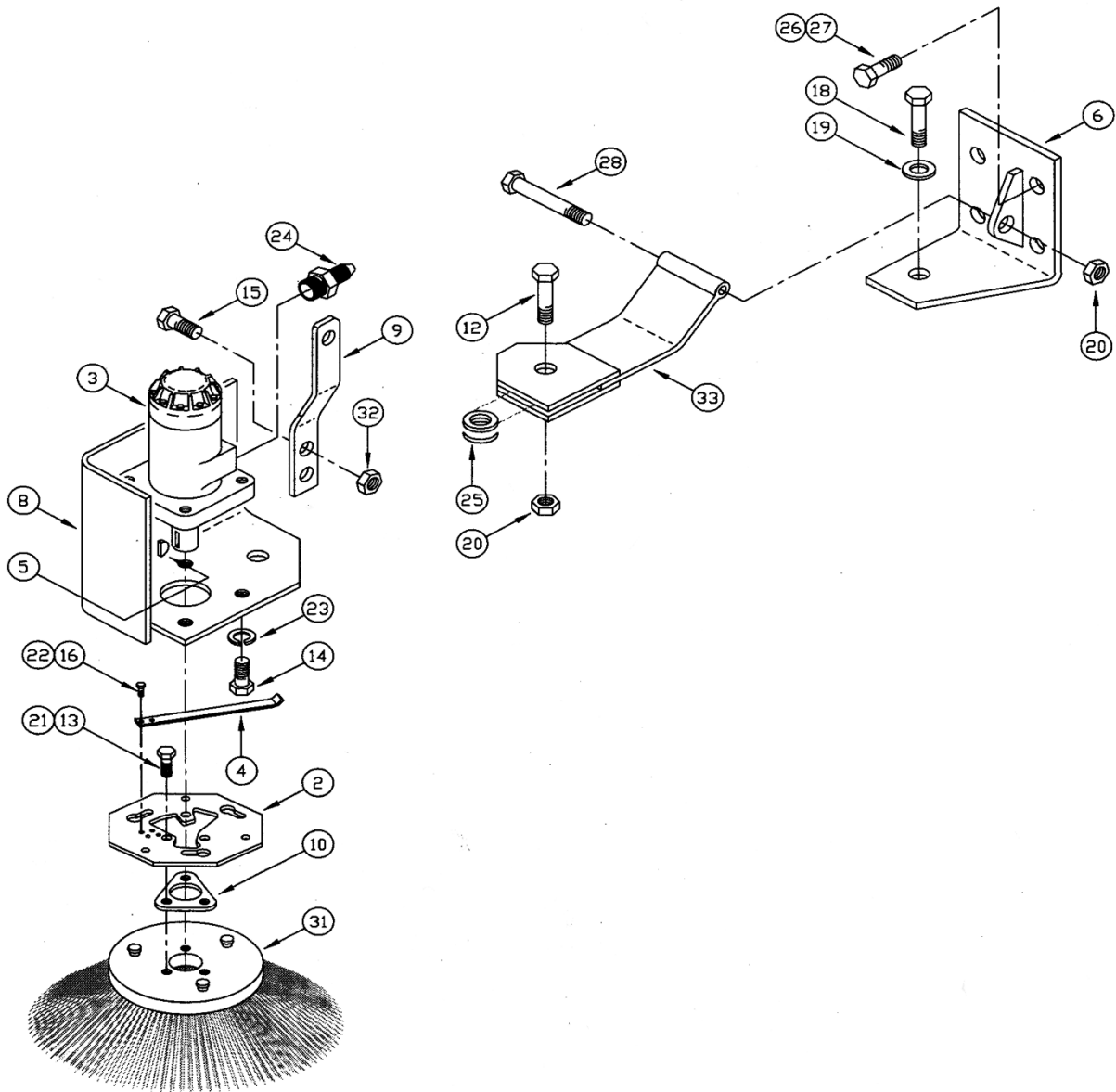
REAR VIEW

MISCELLANEOUS GROUP - DECALS

REF#	PART #	DESCRIPTION	QUANTITY
	307583	DECAL "*" LOGO ARMA	2
	311515	DECAL "BADGER" SW/62	1
	301335	DECAL LINTEL TOP "Z_Z_Z"	1
	301623	(NOT SHOWN) DECAL LINTEL TOP SMALL "===="	1
	311314	DECAL "SW/62"	1
	307588	FLOOR - MAT LARGE SW/A	1
	318370	DECAL - ENGINE CLIP SW/72	1
	301614	DECAL - "POWERBOSS" LIGHT GRAY	1
	301643	DECAL - "POWERBOSS" MAROON	1
	313023	(NOT SHOWN) DECAL - REAR CLIP R/H	1
	318211	DECAL - "DELUXE"	1
	318371	(NOT SHOWN) DECAL - MAIN BROOM LIFT SW/72	1



SIDE BROOM GROUP

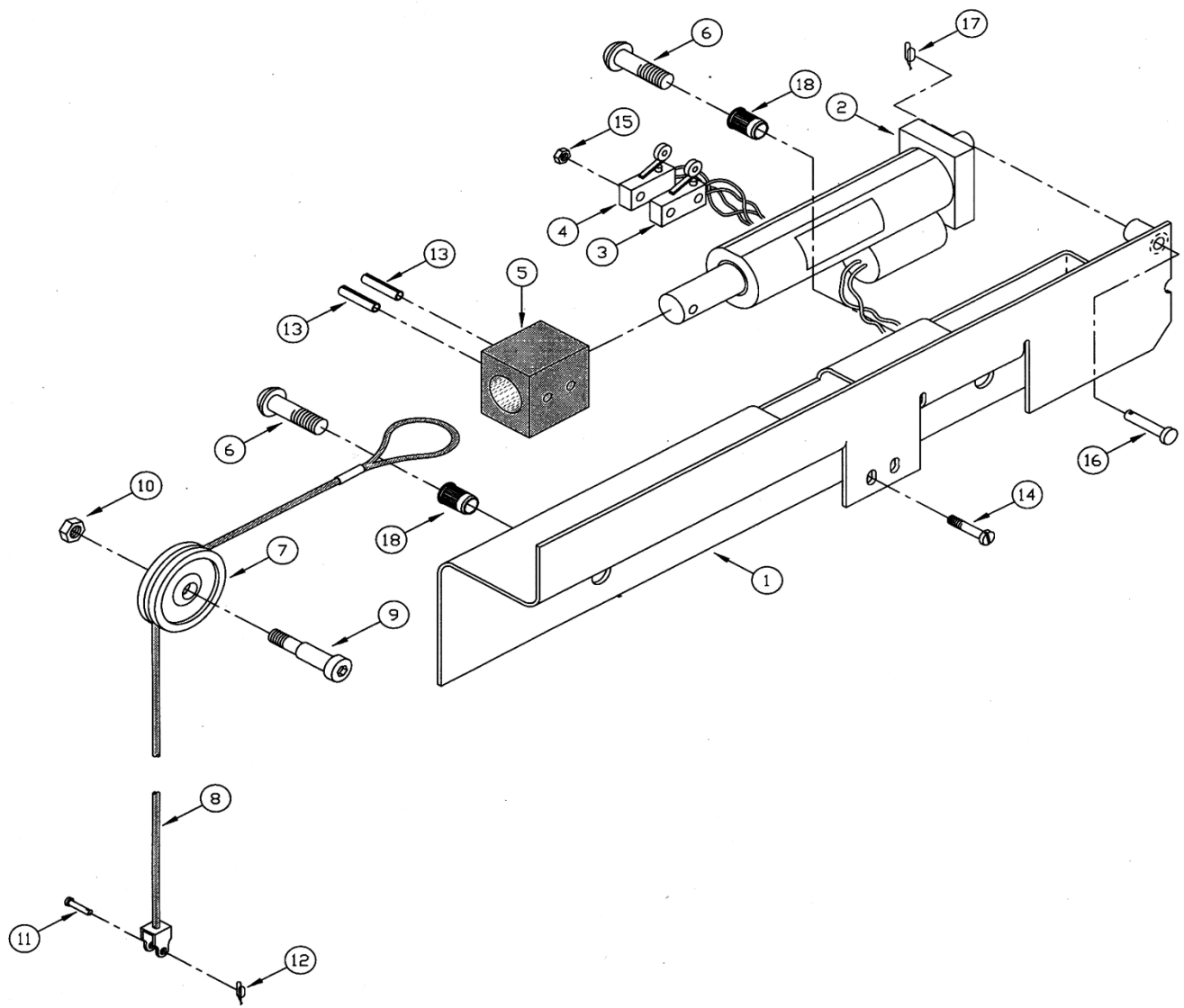


091PA003

SIDE BROOM GROUP

REF#	PART #	DESCRIPTION	QUANTITY
2	301262	PLATE - GIMBAL SCHD	1
3	318532	MOTOR - 9.5 CU IN CURB BROOM	1
4	302058	RETAINER - BRUSH	1
5	302082	KEY - HEX HYD MOTOR	1
6	313202	ASSY - MOUNT CURB BROOM	1
8	313207	MOUNT - CURB BROOM MOTOR	1
9	313208	BRKT - CABLE CURB BROOM	1
10	313212	ASSY - HUB CURB BROOM	1
12	400022	SCREW - HEX 1/2 - 13 X 1 1/4	1
13	400030	SCREW - HEX 3/8-16 X 1.0	3
14	400032	SCREW - HEX 3/8-16 X .75	4
15	400035	SCREW - HEX 5/16-18 X 1.0	2
16	400042	SCREW - HEX 1/4-20 X .75	2
18	400053	SCREW - SSCP 1/2-20 X 1.75	1
19	400091	WASHER - FENDER 1/2	1
20	400078	NUT - ES 1/2-13	2
21	400079	NUT - HEX 3S 3/8-16	3
22	400081	NUT - HEX ES 1/4-20	2
23	400101	WASHER - LOCK 3/8	4
24	400151	FTG - STR 7/8-14 TO #8	2
25	400178	BRG - THRUST .531 ID X 1.00 OD	2
26	400030	SCREW - HEX 3/8-16 X 1.0	4
27	400079	NUT - HEX ES 3/8-16	4
28	400018	SCR - HEX 1/2 - 13 X 4.00 ZP	1
31	Curb Broom : Choose from the following (24")		1
	300306	BRM - SIDE 24" POLY (Poly)	1
	300308	BRM - SIDE 24" NYLON (White)	1
32	400080	NUT - 5/16 - 18 ES	2
33	313203	ASSY - ARM SIDE BROOM	1

SIDE BROOM GROUP (CONT.)

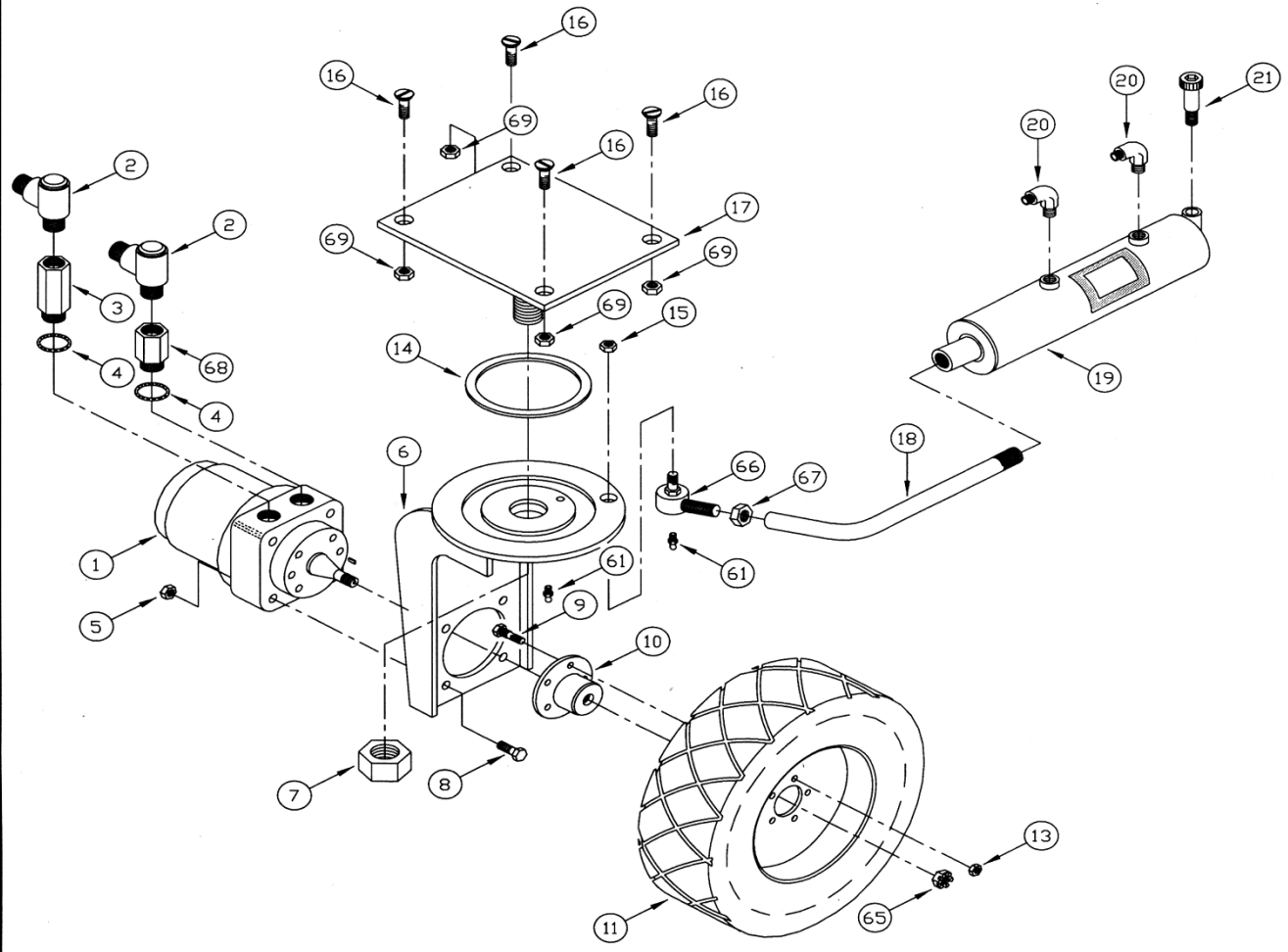


091PA004

SIDE BROOM GROUP (CONT.)

REF#	PART #	DESCRIPTION	QUANTITY
1	318486	WELD - SIDE BRMLIFT	1
2	309351	ACTUATOR - DUAL CURB BROOM	1
3	312603	SWITCH - SEALED ROLLER	1
4	312603	SWITCH - SEALED ROLLER	1
5	304438K	BLOCK - SQ LIFT KENT	1
6	400790	SCREW - BHSCS .375 - 16 X 1	2
7	300368	PULLEY - PLASTC	1
8	321245	CABLE - CB LIFT L/H SW62	1
9	400051	SCR - HSS 5/16 DIA X .50 ZP	1
10	400081	NUT - HEX 1/4 - 20 ES ZP	1
11	400118	SCREW - HEX 1/2-13 X 4.0	1
12	400125	RING - RUE 3/8	1
13	400733	PIN - ROLL 1/4 X 1 - 3/4	2
14	400823	SCR - #6 - 32 X 1 - 3/4 UNC PAN HD SLT	2
15	400492	NUT - #6 - 32 ELASTIC STOP	2
16	400744	PIN - CLEVIS 1/4 X 1 - 1/4	1
17	400742	RUE RING - 1/4 HEAVY ZP	1
18	322189	INSERT - 3/8 - 16	2

STEERING GROUP

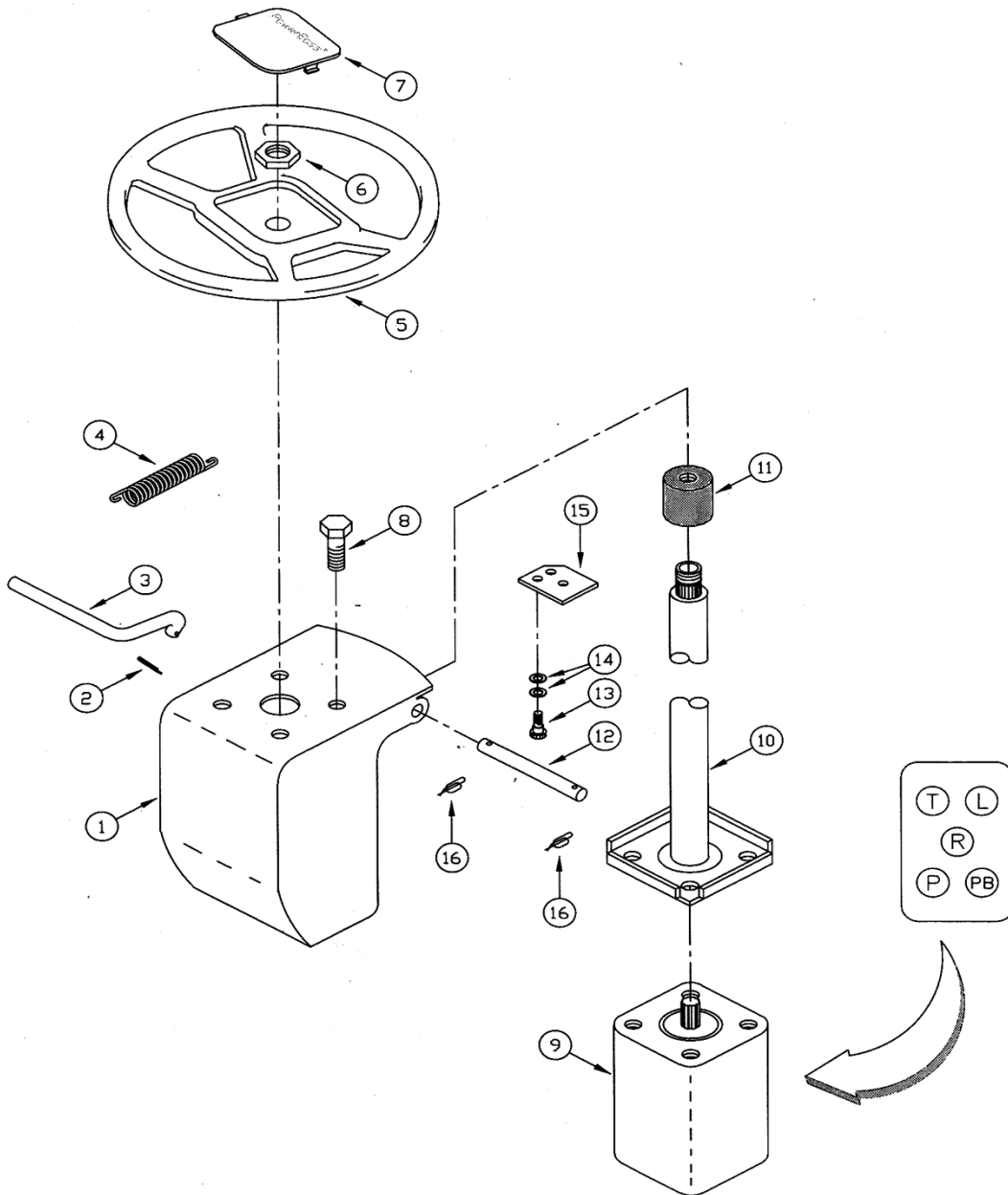


040PA001

STEERING GROUP

REF#	PART #	DESCRIPTION	QUANTITY
1	318586	MOTOR - 3000 PSI DRIVE	1
2	400169	FTG - SWIVEL 3/4 - 16 TO #8	2
3	302349	FTG - SPECIAL WHEEL MOTOR	1
4	302360	O-RING - .755 ID X .098 W	2
5	400078	NUT - HEX 1/2 - 13 ES ZP	4
6	318585	WELD - STEERING FORK SW/62U	1
7	400083	NUT - HEX JAM 1 1/4 - 12 ES ZP	1
8	400019	SCR - HEX 1/2 - 13 X 2.50 ZP	4
9	300415	STUD - WHEEL HUB	5
10	301018	HUB - REAR WHEEL PNTD MS	1
11	318690	WHEEL - 5 X 10.5 X 18 MOLDED	1
13	300411	NUT - WHEEL LUG	5
14	300472	BRG - THRUST 5.812 ID X 7.00 OD	1
15	400188	NUT - HEX JAM 1/2-20 ES	1
16	400842	SCR - HFHCS .50 - 13 UNC X 1.75	4
17	300153	WELD - FORK PIVOT PLT PNTD	1
18	318455	ASSY - STEERING LINK SUB SW/72	1
19	318452	CYLINDER - STEERING	1
20	400634	FTG - ADAPTOR 90 DEG ELBOW 1/2 - 20	2
21	400814	BOLT - SHOULDER .75 DIA X .75 LG	1
61	400012	FTG - GREASE	2
65	400223	NUT - HEX SLOTTED 11/16 - 18 ZP	1
66	300466	BALL JOINT - STEERING	1
67	400188	NUT - HEX JAM 1/2-20 ES	1
68	400166	FITTING - ADAPTER 7/8 - 14 EXT TO 3/4	1
69	400078	NUT - HEX 1/2 - 13 ES ZP	4

STEERING GROUP - TILT STEERING



040PA002

**STEERING GROUP - TILT STEERING**

REF#	PART #	DESCRIPTION	QUANTITY
1	318426	WELD - POWER STRG MNT SW/72	1
2	400662	PIN - COTTER 1/16 X .50 ZP	1
3	315921	ROD - TILT OPERATING	1
4	400718	SPRING - COLUMN LATCH	1
5	318220	WHEEL - STEERING 9XV	1
6	*	PART OF NUMBER 11	1
7	*	PART OF NUMBER 5	1
8	400027	SCR - HEX 3/8 - 16 X 1.75 ZP	4
9	318471	STEERING UNIT - POWER BEYOND	1
10	320640	STEERING COLUMN - PWR STEER 295MM	1
11	324015	BOOT - STEERING CYLINDER RUBBER	1
12	315944	ROD - COLUMN PIVOT	1
13	400052	SCR - HSS 5/16 DIA X .25 ZP	1
14	400088	WASHER - FLAT 5/16 STANDARD ZP	2
15	315918	LATCH - STEERING COLUMN	1
16	400124	PIN - COTTER 5/8 RUE RING	2